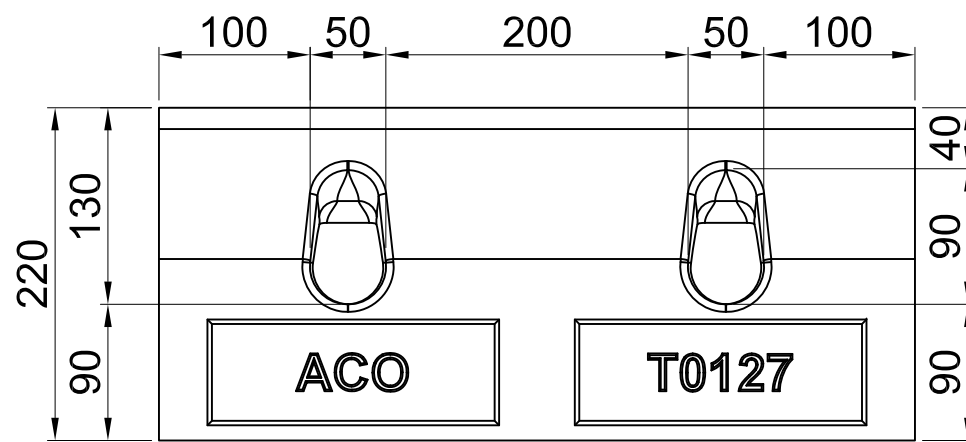
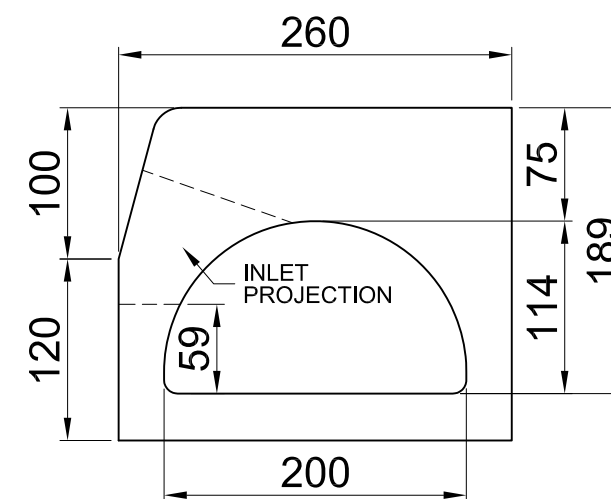


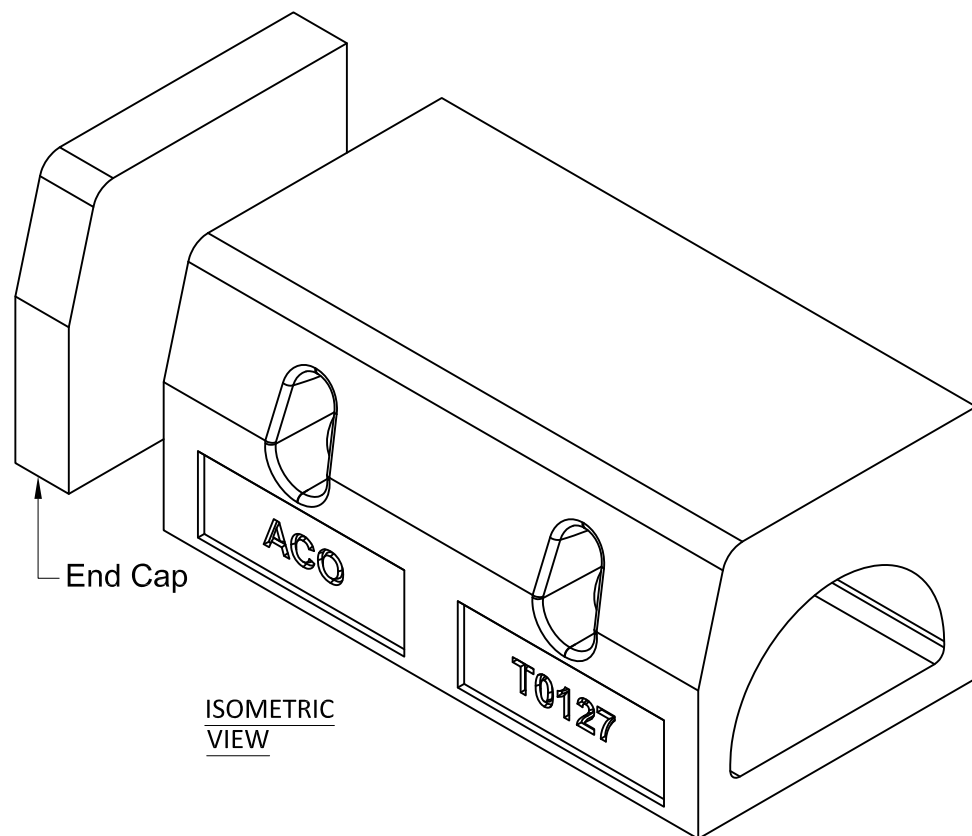
LEFT ELEVATION



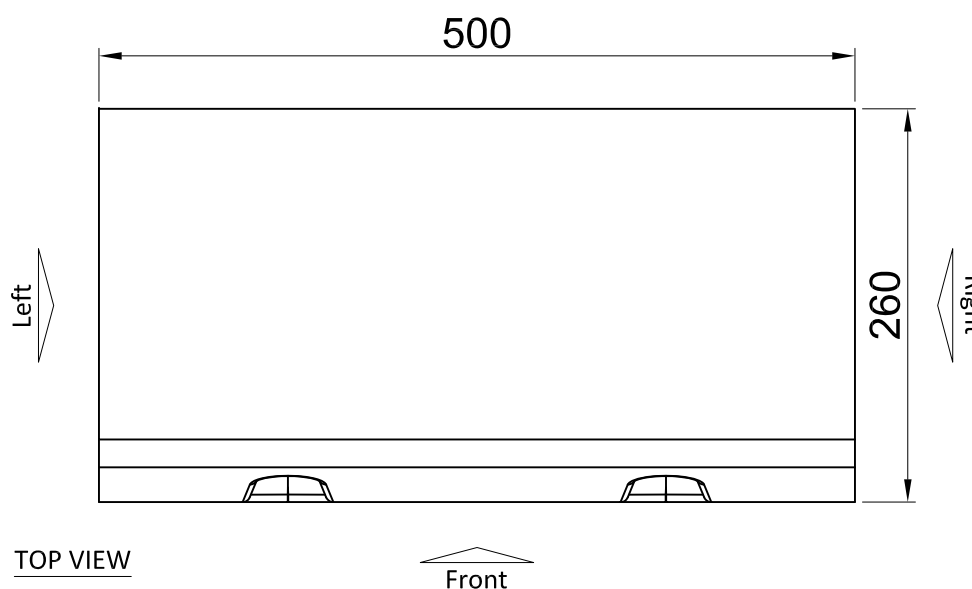
FRONT ELEVATION



RIGHT ELEVATION



ISOMETRIC VIEW



TOP VIEW

Load Class	Type	Description	Overall Length (mm)	Overall Width (mm)	Overall Depth (mm)	Internal Width (mm)	Invert Depth (mm)	Weight (kg)	Pallet (Units)	Part Number
D240	KDHB200	ACO KerbDrain KDHB200	500	260	220	200	59	39.70	-	T0127

Channel Length (m)	SLOPE					
	0%		0.25%		0.5%	
	Q (l/s)	q (l/s/m)	Q (l/s)	q (l/s/m)	Q (l/s)	q (l/s/m)
10	4.50	0.45	6.10	0.61	7.30	0.73
30	3.90	0.13	6.90	0.23	8.70	0.29
50	3.50	0.07	7.40	0.15	9.20	0.18
70	3.10	0.04	7.60	0.11	9.70	0.14
100	2.80	0.03	7.70	0.08	10.30	0.10

- Q (l/s) is the maximum total flow that the channel can carry
- q (l/s/m) is the maximum possible lateral inflow.

**General**  
The KerbDrain shall be ACO KerbDrain® Type KDHB200 as manufactured by ACO Technologies plc. or equal approved. The KerbDrain shall be installed in accordance with the manufacturer's installation instructions and recommendations.

**Materials/Properties**  
The ACO KerbDrain® is manufactured from Polymer Concrete with minimum properties as follows:  
Compressive = 96 MPa      Flexural strength: 27 MPa      Water absorption 0.07%  
Frost proof      Salt proof      Dilute acid and alkali resistant

The nominal clear opening shall be 200mm with overall width of 260mm. Modular units shall be manufactured with neutral invert depth system. Each standard unit shall provide 2 front inlets, each with 50x90mm clear opening.

**SPECIFICATION SHEET**

Drawn: Danilo V.	Revision: 00
Verified: George S.	Date: April/21

Brand: ACO KERBDRAIN®  
Product: ACO KERBDRAIN® KDHB200



ACO Limited  
Unit F/6 Percival Gull Place  
Mangere  
Auckland 2022  
Tel: 0800 448 080  
Fax: +64 9255 5114  
Email: info@aconz.co.nz