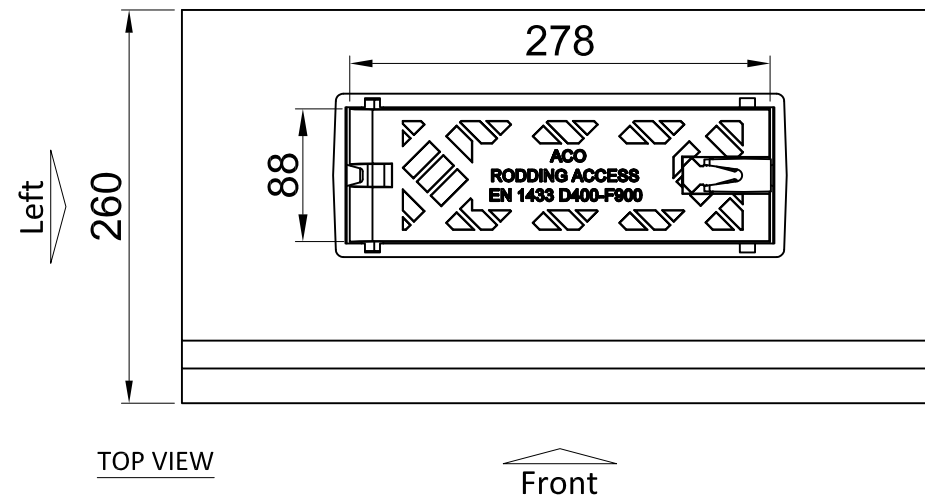
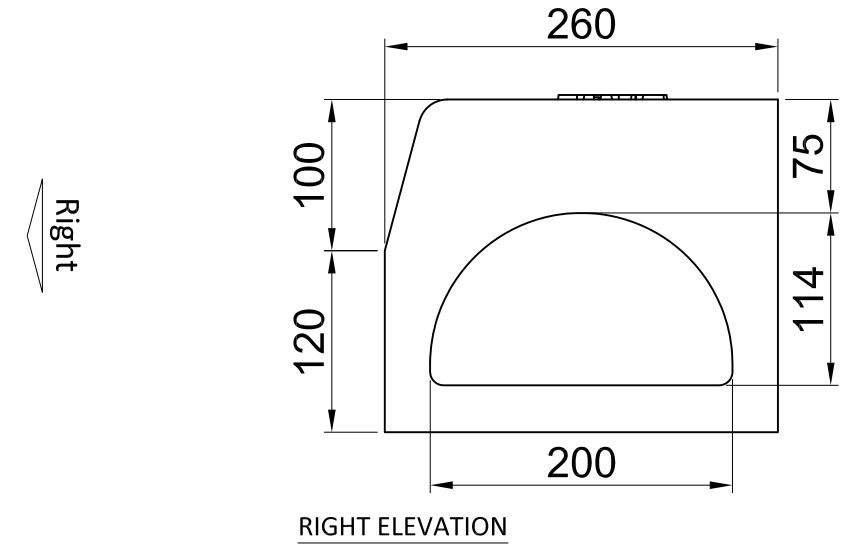


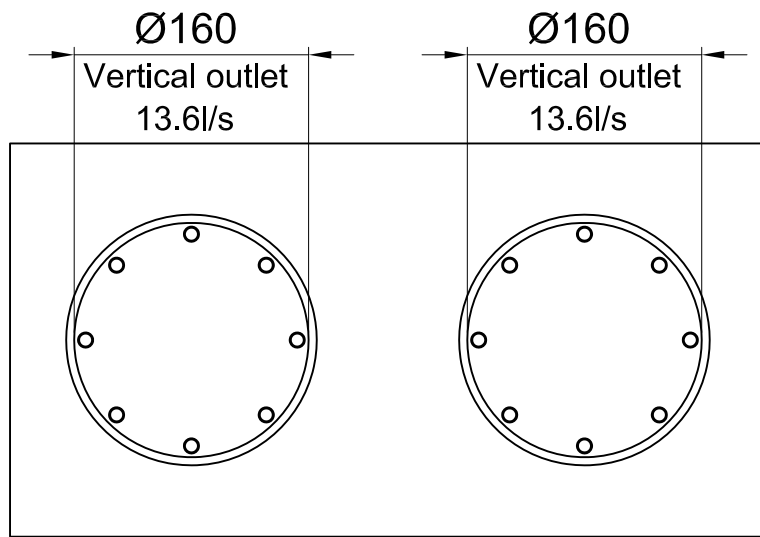
LEFT ELEVATION



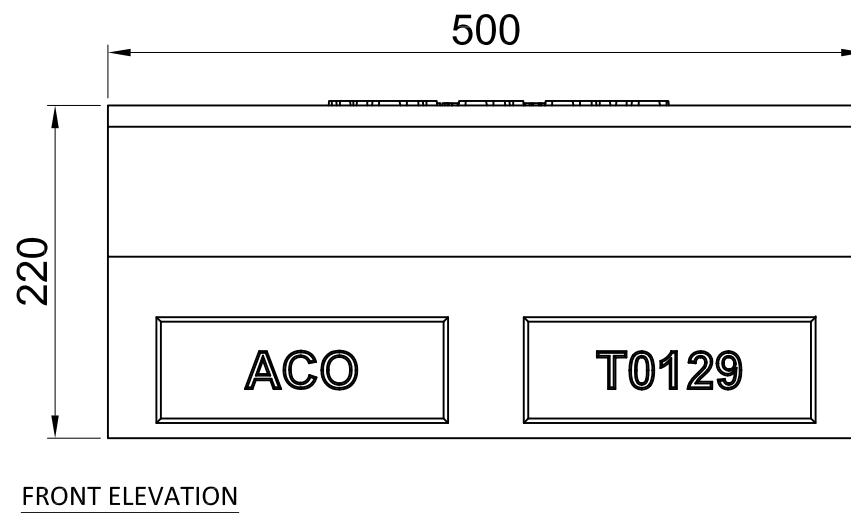
TOP VIEW



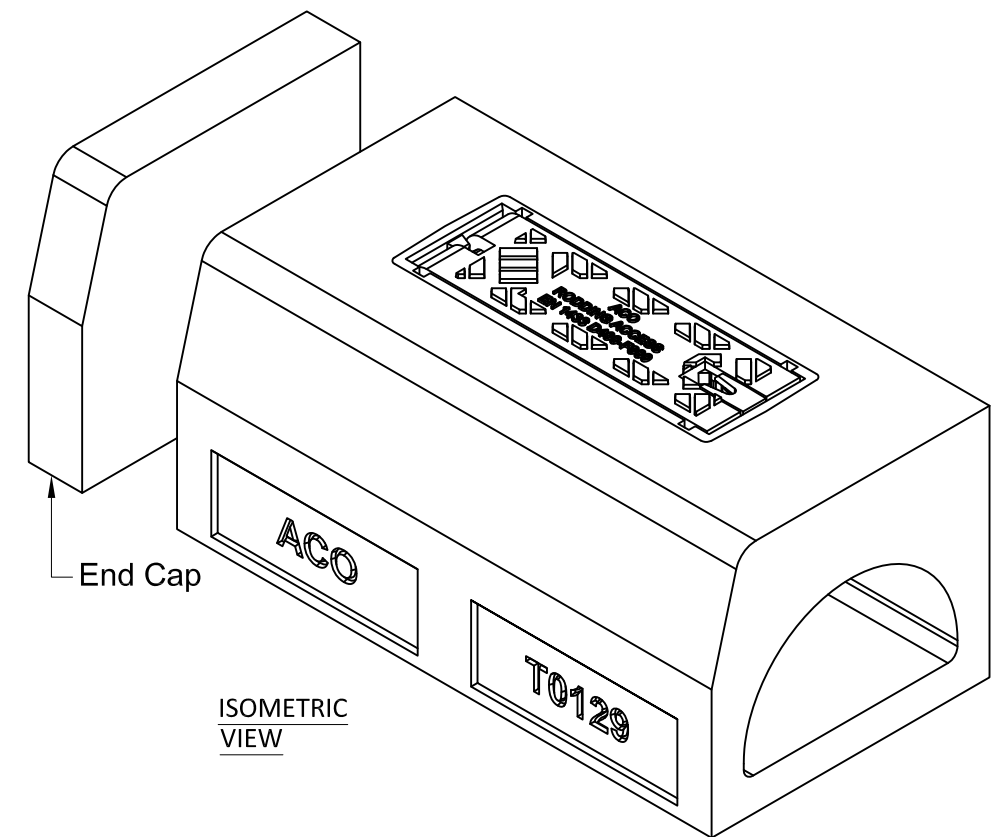
RIGHT ELEVATION



BOTTOM VIEW



FRONT ELEVATION



Channel Length (m)	SLOPE					
	0%		0.25%		0.5%	
	Q (l/s)	q (l/s/m)	Q (l/s)	q (l/s/m)	Q (l/s)	q (l/s/m)
10	4.50	0.45	6.10	0.61	7.30	0.73
30	3.90	0.13	6.90	0.23	8.70	0.29
50	3.50	0.07	7.40	0.15	9.20	0.18
70	3.10	0.04	7.60	0.11	9.70	0.14
100	2.80	0.03	7.70	0.08	10.30	0.10

- Q (l/s) is the maximum total flow that the channel can carry
- q (l/s/m) is the maximum possible lateral inflow.

Load Class	Type	Description	Overall Length (mm)	Overall Width (mm)	Overall Depth (mm)	Internal Width (mm)	Invert Depth (mm)	Weight (kg)	Pallet (Units)	Part Number
D240	KDHB200	ACO KerbDrain KDHB200 Access Unit	500	260	220	200	114	41.30	-	T0129

General

The KerbDrain shall be ACO KerbDrain® Type KDHB200 Access Unit as manufactured by ACO Technologies plc. or equal approved. The KerbDrain shall be installed in accordance with the manufacturer's installation instructions and recommendations.

Materials/Properties

The ACO KerbDrain® is manufactured from Polymer Concrete with minimum properties as follows:
 Compressive = 96 MPa Flexural strength: 27 MPa Water absorption 0.07%
 Frost proof Salt proof Dilute acid and alkali resistant

The nominal clear opening shall be 200mm with overall width of 260mm. Modular units shall be manufactured with neutral invert depth system. Each standard unit shall provide 2 front inlets, each with 50x90mm clear opening and 2 bottom outlets, Ø160mm each.

SPECIFICATION SHEET

Drawn: Danilo V.	Revision: 00
Verified: George S.	Date: April/21

Brand:
ACO KERBDRAIN®

Product:
ACO KERBDRAIN®
KDHB200 Access Unit



ACO Limited
 Unit F/6 Percival Gull Place
 Mangere
 Auckland 2022
 Tel: 0800 448 080
 Fax: +64 9255 5114
 Email: info@aconz.co.nz