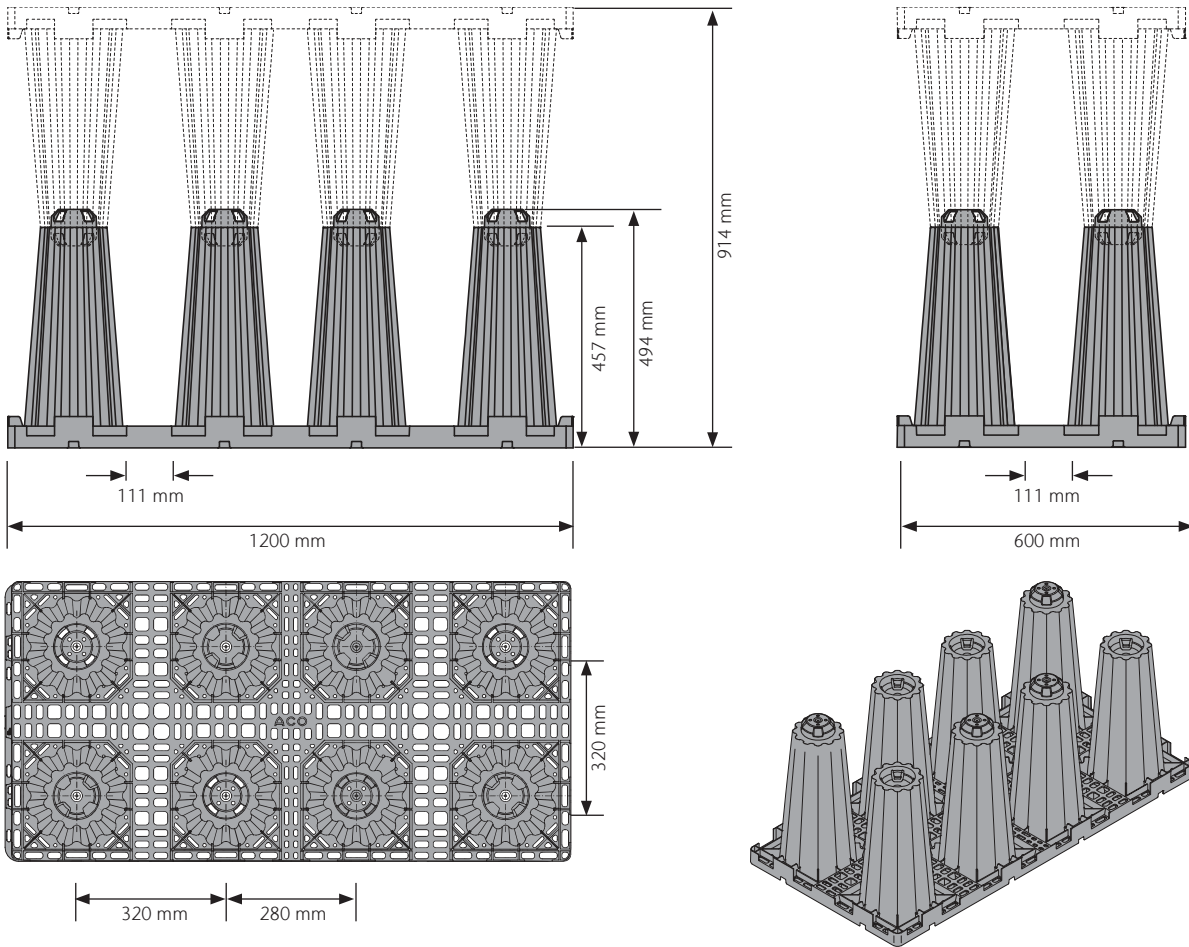
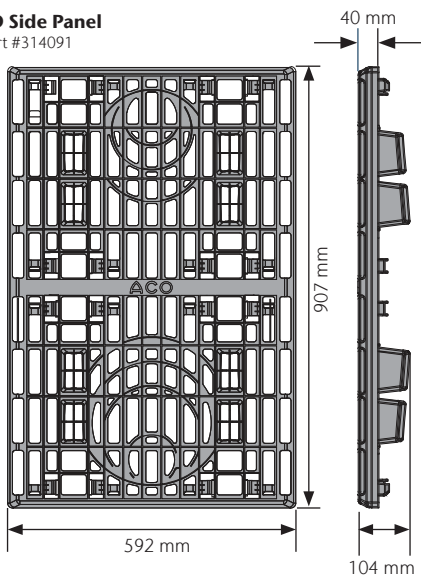


Stormwater Retention/Detention/Infiltration System

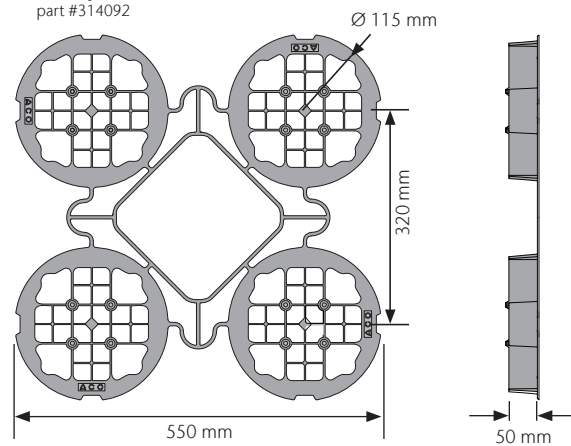
SD Tank Half Body
part #314090



SD Side Panel
part #314091



SD Top Cover
part #314092

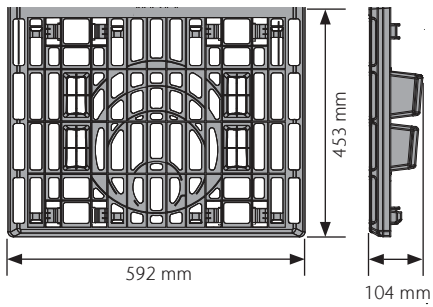


ACO Specification Information

Stormwater Retention/Detention/Infiltration System

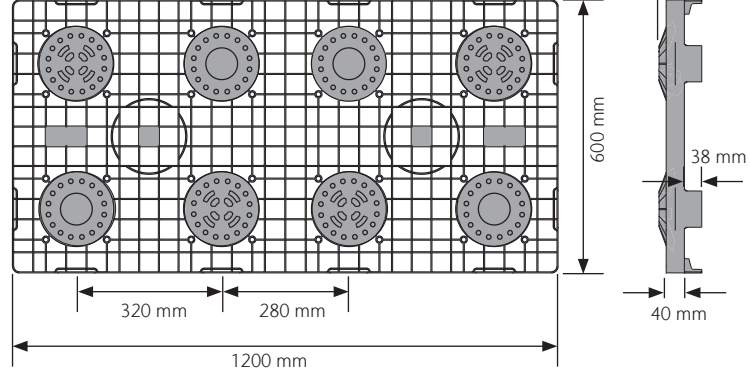
SD Half-Layer Side Panel

part no. 314098



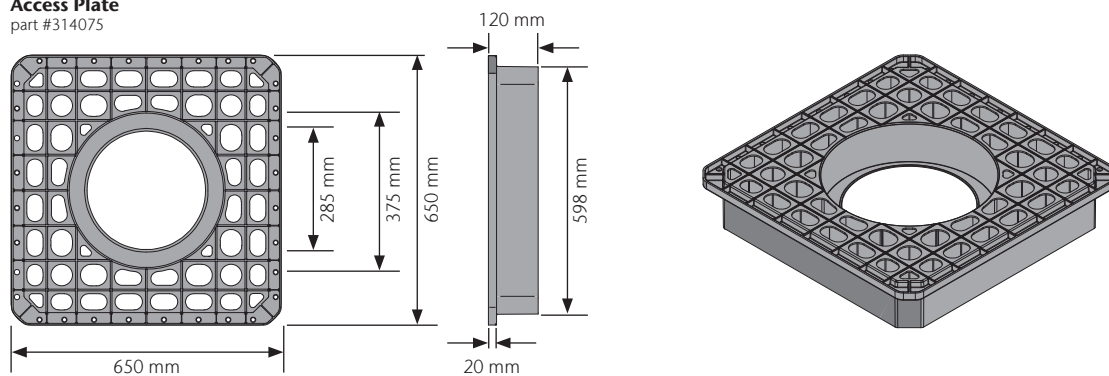
Half-Layer Top Cover Plate

part no. 314094



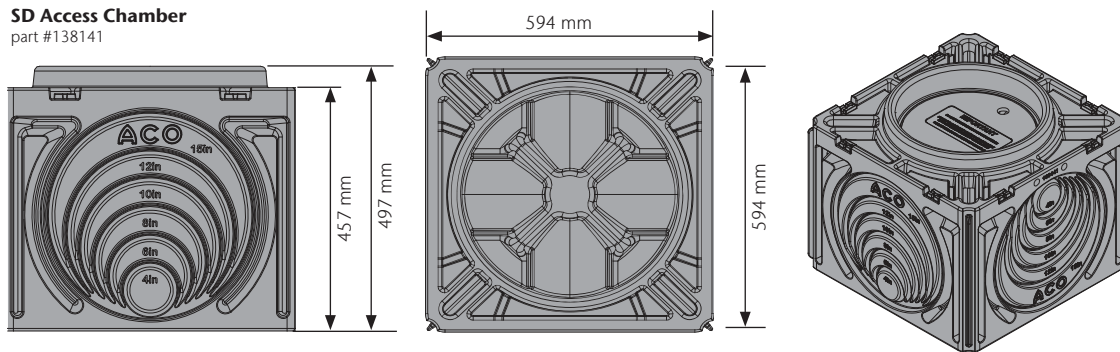
Access Plate

part #314075



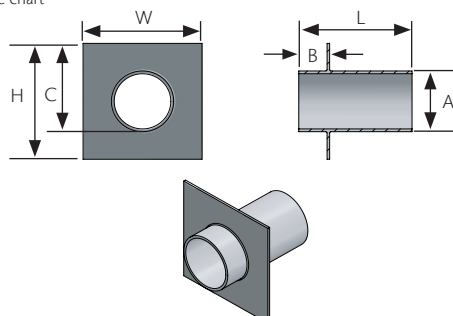
SD Access Chamber

part #138141



Pipe Connector with Flange

part #: see chart

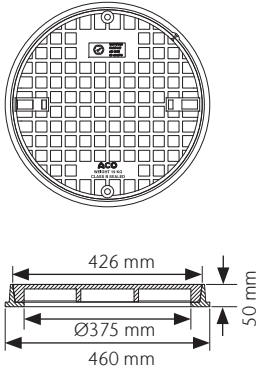


Pipe Size	Part #	A mm	B mm	C mm	H mm	W mm	L mm
DN100	142833	111	50	161	210	210	200
DN150	142834	161	50	211	260	260	200
DN225	142835	251	50	301	350	350	200
DN300	142836	317	50	367	415	415	200
DN375	142837	402	50	452	500	500	200

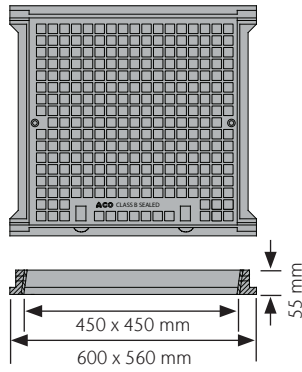
ACO Specification Information

Stormwater Retention/Detention/Infiltration System

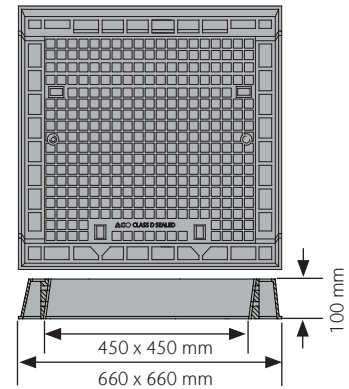
Circular Solid Top Access Cover (Class B)
part #143123



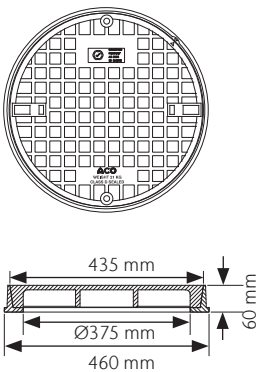
Rhinocast Square Solid Top Cover (Class B)
part #85249



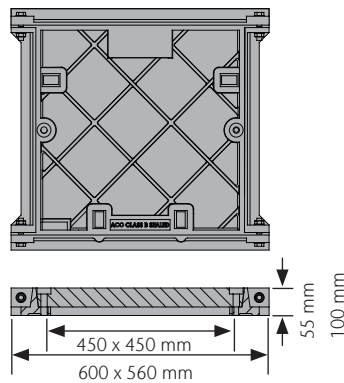
Rhinocast Square Solid Top Cover (Class D)
part #89268



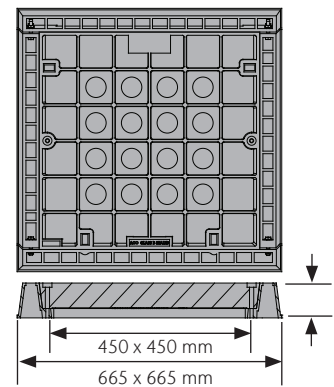
Circular Solid Top Access Cover (Class D)
part #143124



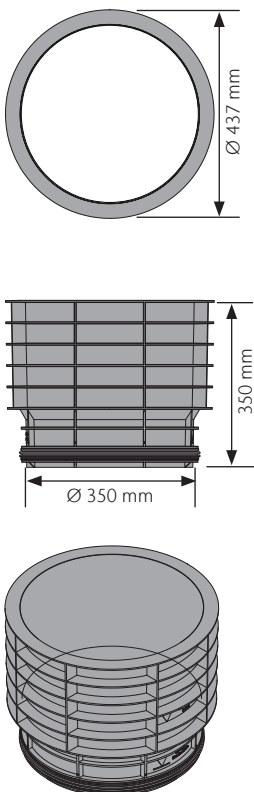
Rhinocast Square Recessed Access Cover (Class B)
part # 85014



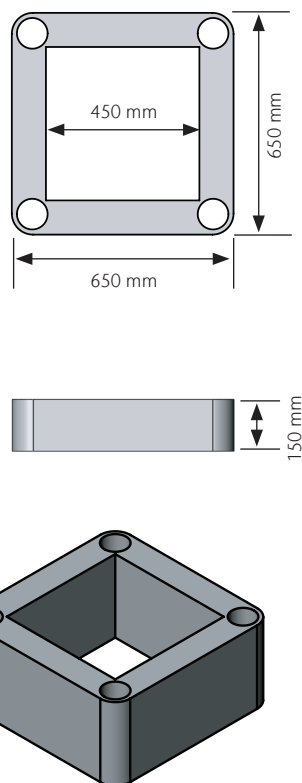
Rhinocast Square Recessed Access Cover (Class D)
part # 89013



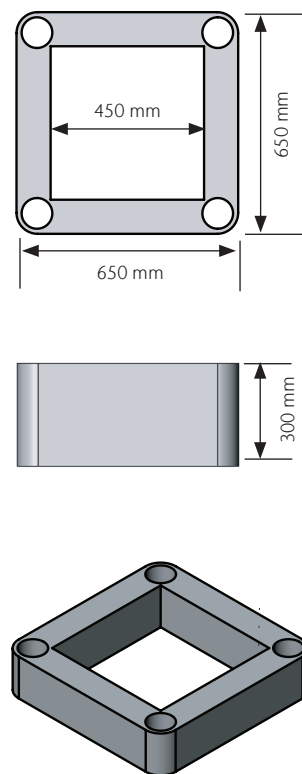
Circular Rising Access Shaft
part #314038



EzyBrixx® Square Rising Access Shaft
part #142832



EzyBrixx® Square Rising Access Shaft
part #142831



ACO Specification Information

Stormwater Retention/Detention/Infiltration System

ACO StormBrixx SD Parts Table	Part #	Length mm	Width mm	Depth mm	Weight kg
SD Tank Half Body	314090	1200	600	494	9.5
SD Side Panel	314091	907	592	104	3.1
SD Top Cover	314092	550	550	50	0.8
SD Layer Connector	314093	53	44	26.5	0.1
SD Half Layer Side Panel	314098	454	592	104	1.5
Half Layer Top Cover Plate	314094	1200	600	94	3.5
SD Access Chamber	138141	594	594	497	18.1
Access Plate	314075	650	650	120	4.7
Circular Solid Top Access Cover (Class B)	143123	-	Ø460	50	27
Circular Solid Top Access Cover (Class D)	143124	-	Ø460	60	30
Circular Rising Access Shaft - 300mm high	314038	-	Ø437	350	2.6
Rhinocast Square Solid Top Access Cover (Class B)	85249	560	600	55	44
Rhinocast Square Solid Top Access Cover (Class D)	89268	660	660	100	87
Rhinocast Square Recessed Access Cover (Class B)	85014	560	600	55	47
Rhinocast Square Recessed Access Cover (Class D)	89013	665	665	100	85
EzyBrixx Square Rising Access Shaft - 150 mm high	142832	650	650	150	4.9
EzyBrixx Square Rising Access Shaft - 300 mm high	142831	650	650	300	9.8
EzyBrixx Access Shaft Connector Clips (set of 4)	142840	94	24	26	0.05
Pipe Connector with Flange DN100	142833	210	210	200	0.6
Pipe Connector with Flange DN150	142834	260	260	200	1.1
Pipe Connector with Flange DN225	142835	350	350	200	2.5
Pipe Connector with Flange DN300	142836	415	415	200	4.0
Pipe Connector with Flange DN375	142837	500	500	200	6.0

Geomembrane/Geotextile Parts Table	Part #	Roll size m	Area m ²	Weight kg
Geomembrane for Det/Ret - 1mm liner - 8m x 50m roll ^{1,2}	142967	8 x 50	400	400
Non Woven Geotextile for Det/Ret - 2m x 50m roll ³	142971	2 x 50	100	15
Non Woven Geotextile for Det/Ret - 2m x 175m roll ³	142973**	2 x 175	350	70
Non Woven Geotextile for Det/Ret - 3m x 175m roll ³	142974**	3 x 175	525	105
Non Woven Geotextile for Det/Ret - 4m x 175m roll ³	142975**	4 x 175	700	140
Non Woven Geotextile for Det/Ret - 6m x 175m roll ³	142976**	6 x 175	1050	210
Woven Geotextile for Infiltration - 2m x 50m roll	142965	2 x 50	100	13
Woven Geotextile for Infiltration - 4m x 50m roll	142966	4 x 50	200	28
Sealing Tape for Geomembrane - 50mm x 10m roll	142969	0.05 x 10	-	-

** If supplied from Perth office, add 'WA' to the end of the Part #, for example '142973WA'.

¹Geomembrane roll can be cut down to size for a nominal cutting fee, contact ACO.

²Prefabricated geomembrane panels up to approximately 1,000m² can be supplied, contact ACO.

³Non woven geotextile can also be used for infiltration tanks.

Specifications

General

The stormwater Retention*/Detention* Infiltration* system shall be ACO Stormbrixx SD as manufactured by ACO.

Materials

The StormBrixx SD tank shall be manufactured from polypropylene with minimum properties as follows:
 Vertical strength: 350 kN/m²
 Lateral strength: 70 kN/m²
 Design life: 50 years
 Frost proof, salt proof and fuel and oil resistant.

The stormwater tank shall provide an average 97% open area, holding up to 0.638 m³ (638 litre) per cell (two SD tank half bodies assembled) and offer full access to all areas and levels for maintenance.

Geomembranes/Geotextiles

The StormBrixx stormwater tank shall be wrapped in appropriate permeable geotextile and/or impermeable geomembrane depending on tank use.

Accessories

The StormBrixx stormwater tank shall be used in conjunction with access chambers/ plates with rising access shafts and access covers. Pipe connectors with flange are available for connection with inlet, outlet, vent and inspection pipes.

Installation

The StormBrixx stormwater tank shall be installed in accordance with the manufacturer's installation instructions and recommendations.

* Choose one

ACO Specification Information

ACO Ltd

Unit F/6 Percival Gull Place
 Mangere, Auckland 2022
 Tel: 0800 448 080
 Tel: +64 9 815 9500
 Fax: +64 9 255 5114

sales@aconz.co.nz
 www.aconz.co.nz

