

ACO PITLOK® - Concrete pit range

SCEC endorsed (SL1)

Product Description

The Security Construction and Equipment Committee (SCEC) is an interdepartmental committee which selects security equipment to meet the physical security needs of the Australian Government.

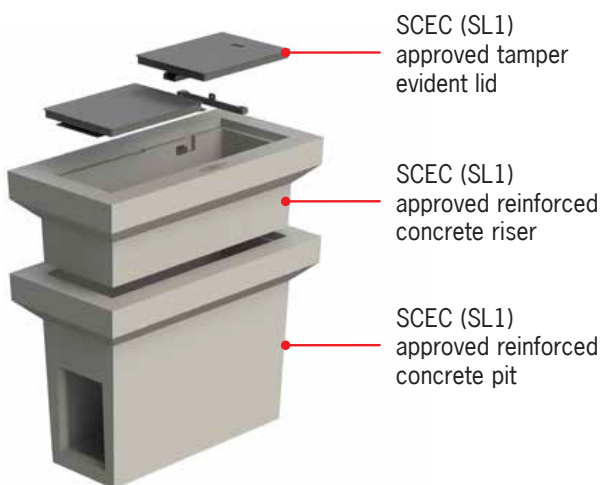
The ACO PITLOK® range has been fully tested and assessed on behalf of SCEC. SCEC have subsequently endorsed the lids and pits contingent on the use of SCEC (SL3) padlocks to secure the lids.

The concrete pit range includes:

- SCEC (SL1) approved tamper evident lids
- SCEC (SL1) approved precast concrete pits (40MPa)



J8 SCEC (SL1) concrete pit enclosure shown



J8 SCEC (SL1) concrete pit enclosure shown

Accessories include:

- ID Plates
- Route Marker Plates
- SCEC Padlocks
- Lid Lifting Tool (Part No. 142232)
- Swing Arm
- Custom risers (see left)

ACO PITLOK® – Concrete pit range

Parts table

Concrete pits with steel lids

| Type | Description | Part No. | SEEPL Code | Internal clear opening width L x W x D (mm) | Weight (kg) |
|--------|------------------------------|----------|---------------|---|-------------|
| J5P | J5P - full body pit only | 142263 | | 600 x 340 x 780 | 409 |
| | J5P - split body pit only | 142264 | | 600 x 340 x 780 | 409 |
| | P5 - steel lid (Class B) | 142240 | J5P-142240 | | 17 |
| | P5 - steel lid (Class D) | 142854 | J5P-142854 | | 26 |
| J600P | J600P - full body pit only | 142265 | | 535 x 535 x 750 | 473 |
| | J600P - split body pit only | 142266 | | 535 x 535 x 750 | 466 |
| | P600 - steel lid (Class B) | 142488 | J600P-142488 | | 23 |
| | P600 - steel lid (Class D) | 143065 | J600P-143065 | | 34 |
| J8P | J8P - full body pit only | 142267 | | 1250 x 440 x 910 | 818 |
| | J8P - split body pit only | 142268 | | 1250 x 440 x 910 | 818 |
| | P8 - steel lid (Class B) | 142241 | J8P-142241 | | 44 |
| | P8 - steel lid (Class D) | 142851 | J8P-142851 | | 66 |
| J10P | J10P - full body pit only | 142269 | | 1905 x 440 x 920 | 1117 |
| | J10P - split body pit only | 142270 | | 1905 x 440 x 920 | 1105 |
| | P10 - steel lid (Class B) | 142514 | J10P-142514 | | 63 |
| | P10 - steel lid (Class D) | 143063 | J10P-143063 | | 94 |
| J1000P | J1000P - full body pit only | 142271 | | 945 x 945 x 905 | 863 |
| | J1000P - split body pit only | 142272 | | 945 x 945 x 905 | 863 |
| | P1000 - steel lid (Class B) | 142489 | J1000P-142489 | | 67 |
| | P1000 - steel lid (Class D) | 143055 | J1000P-143055 | | 140 |

Concrete pits with hinged steel lids

| Type | Description | Part No. | SEEPL Code | Internal clear opening width L x W x D (mm) | Weight (kg) |
|---------|---|----------|----------------------|---|-------------|
| J1000HP | J1000HP - split body assembly | | | 990 x 990 x 1105 | |
| | J1000HP - split body pit only | 142449 | | 930 x 930 x 1000 | 863 |
| | Plinth1000HP-10 - hinged lid & plinth (Class B) | 142238 | Plinth 1000HP-142238 | | 500 |
| | Plinth1000HP-10 - hinged lid & plinth (Class D) | 143095 | Plinth 1000HP-143095 | | 520 |
| J1500HP | J1500HP - split body assembly | | | 990 x 990 x 1380 | |
| | J1500HP - split body pit only | 142520 | | 1500 x 1500 x 1220 | 863 |
| | Plinth1000HP-15 - hinged lid & plinth (Class B) | 142519 | Plinth 1000HP-142519 | | 1110 |
| | Plinth1000HP-15 - hinged lid & plinth (Class D) | 143096 | Plinth 1000HP-143096 | | 1120 |

ACO PITLOK® - Plastic pit & plinth range

SCEC endorsed (SL1)

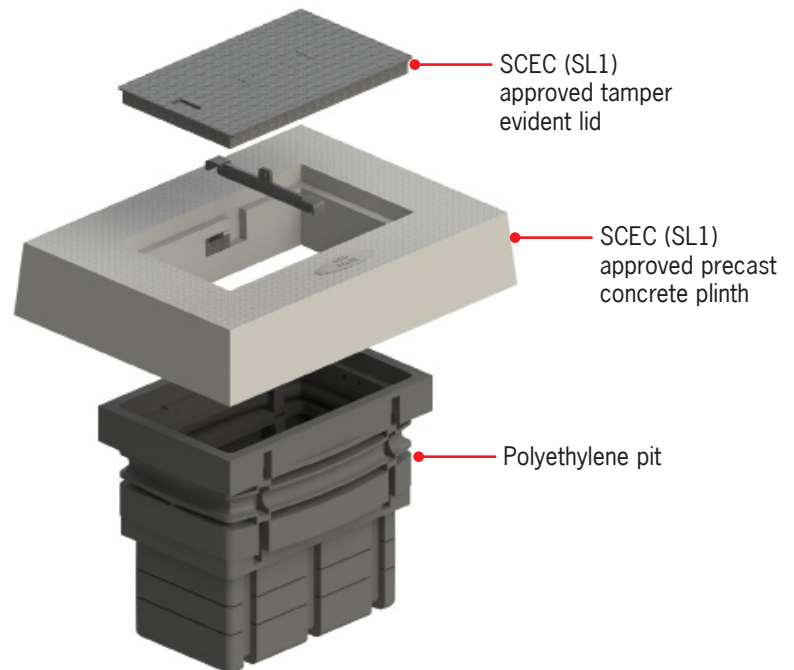
Product Description

The Security Construction and Equipment Committee (SCEC) is an interdepartmental committee which selects security equipment to meet the physical security needs of the Australian Government.

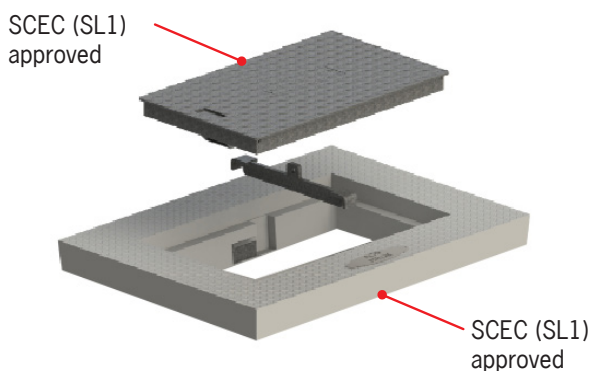
The ACO PITLOK® range has been fully tested and assessed on behalf of SCEC. SCEC have subsequently endorsed the lids and plinths contingent on the use of SCEC (SL3) padlocks to secure the lids.

The plastic pit range includes:

- SCEC (SL1) approved tamper evident NATA load classified lids to AS 3996
- SCEC (SL1) approved precast reinforced concrete plinths (40MPa)
- A range of robust polyethylene pits



P5 SCEC (SL1) plastic pit enclosure shown.



P5 SCEC (SL1) custom height plinth shown

Accessories include:

- ID Plates
- Route Marker Plates
- SCEC Padlocks
- Lid Lifting Tool (Part No. 142232)
- Plastic Pit Expansion Tool (Part No. 142233)
- Swing Arm
- Custom heights (see left)

ACO PITLOK® – Plastic pit & plinth range

Parts table

Plastic pits, concrete plinths with steel lids

| Type | Description | Part No. | SEEPL Code | Internal clear opening width L x W x D (mm) | Weight (kg) |
|-----------------|------------------------------|----------|-------------------|---|-------------|
| P4 Enclosures | P4 - plastic pit | 75957 | | 605 x 300 x 745 | 12 |
| | PlinthP4 - concrete plinth | 142234 | | 570 x 275 x 150 | 175 |
| | P4 - steel lid (Class B) | 142239 | PlinthP4-142239 | To suit PlinthP4 | 15 |
| | P4 - steel lid (Class D) | 143078 | PlinthP4-143078 | To suit PlinthP4 | 20 |
| P5 Enclosures | P5 - plastic pit | 7604299 | | 603 x 353 x 581 | 10 |
| | PlinthP5 - concrete plinth | 142235 | | 575 x 330 x 150 | 195 |
| | P5 - steel lid (Class B) | 142240 | PlinthP5-142240 | To suit PlinthP5 | 17 |
| | P5 - steel lid (Class D) | 142854 | PlinthP5-142854 | To suit PlinthP5 | 26 |
| P6/8 Enclosures | P6 - plastic pit | 75475 | | 1268 x 455 x 616 | 33 |
| | P8 - plastic pit | 75019 | | 1268 x 455 x 836 | 42 |
| | PlinthP6/8 - concrete plinth | 142236 | | 1250 x 440 x 150 | 325 |
| | P6/8 - steel lid (Class B) | 142241 | PlinthP6-8-142241 | To suit PlinthP6/8 | 44 |
| | P6/8 - steel lid (Class D) | 142851 | PlinthP6-8-142851 | To suit PlinthP6/8 | 66 |

Concrete plinths with steel lids

| Type | Description | Part No. | SEEPL Code | Internal clear opening width L x W x D (mm) | Weight (kg) |
|--------|---|----------|-----------------------|---|-------------|
| 800P | Plinth800P - concrete plinth | 142366 | | 715 x 715 x 150 | 355 |
| | 800P - steel lid (Class B) | 142367 | PlinthP800- 142367 | To suit Plinth800P | 53 |
| | 800P - steel lid (Class D) | 143081 | PlinthP800- 143081 | To suit Plinth800P | 60 |
| 1000HP | Plinth1000HP-10 - hinged lid & plinth (Class B) | 142238 | Plinth 1000HP- 142238 | 990 x 990 x 200 | 500 |
| | Plinth1000HP-10 - hinged lid & plinth (Class D) | 143095 | Plinth 1000HP-143095 | 990 x 990 x 200 | 520 |
| | Plinth1000HP-15 - hinged lid & plinth (Class B) | 142519 | Plinth 1000HP -142519 | 990 x 990 x 220 | 1110 |
| | Plinth1000HP-15 - hinged lid & plinth (Class D) | 143096 | Plinth 1000HP-143096 | 990 x 990 x 220 | 1120 |