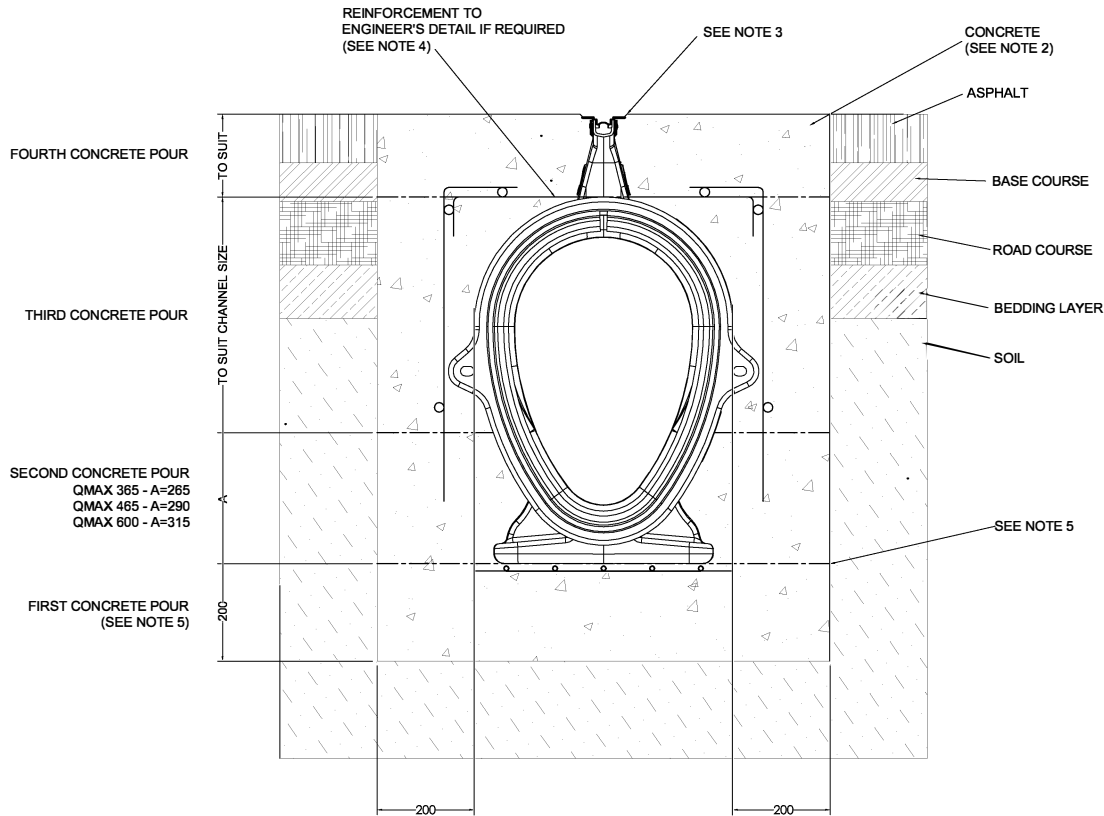


ACO INFRASTRUCTURE DRWG# XIXO-GA2 www.aconz.co.nz	INSTALLATION DRAWING Qmax 365/465/600 Load Class G: Asphalt 2	ACO Limited New Zealand Ph: 0800 448 080 www.aconz.co.nz sales@aconz.co.nz



NOTES:

1. Specific site conditions may require an increase in these dimensions or reinforcements. It is the customer's responsibility to ensure the concrete encasement is designed for the application. *Engineering advice may be required.*
2. A minimum concrete strength of 40MPa is recommended. The concrete should be vibrated to eliminate air pockets.
3. The finished level of the concrete surround must be approx. 3-5mm above the top of the channel slot. During site work and concrete pour, ensure that the plastic protective strip (supplied with Q-Flow slot) is not damaged or displaced, in order to prevent debris entering the channel during construction.
4. It may be necessary to reinforce over, under and to the sides of the unit (as indicated). Reinforcement (if any) can be continued through the Qmax arch detail under the slot. *Engineering advice may be required.*
5. Ensure that the channels do not float while pouring the concrete. To prevent floatation or distortion of the Qmax channel when using high workability concrete, pour concrete in several stages.

ACO INFRASTRUCTURE DRWG# XIXO-GA2 www.aconz.co.nz	SPECIFICATION CLAUSE Qmax 365 / 465 / 600* System	ACO Limited New Zealand Ph: 0800 448 080 www.aconz.co.nz sales@aconz.co.nz

The slot drainage system shall be ACO's **Qmax 365 / 465 / 600*** system as manufactured by ACO Polycrete Pty Ltd.

ACO's **Qmax 365 / 465 / 600*** medium density polyethylene (MDPE) channels have a stiff rib design providing high strength and a pavement beam feature allowing necessary keying of concrete. The 2000mm long lightweight MDPE channels have a simple push-fit male/female watertight connection and levelling feet for ease of installation and stability.

The **constant depth / stepped*** system shall be complete with the Q-Flow galvanised steel 26mm wide slot.

ACO's **Qmax 365 / 465 / 600*** channels shall be connected to a Qmax universal pit with slotted grate (Optional).*

All materials and components within the scope of this system shall be obtained from this manufacturer and the work shall be carried out as specified on the drawings.

***Delete where appropriate**