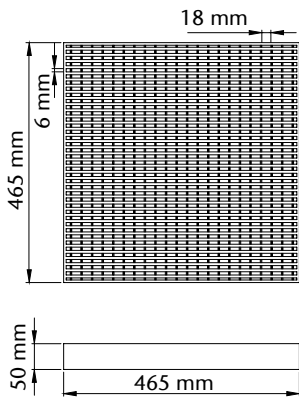
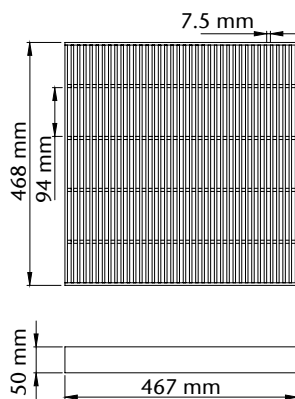


Type 45 Polycrete® Pit – polymer concrete pit and grate

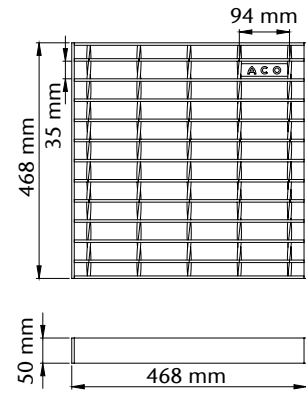
Stainless 5 Star grate



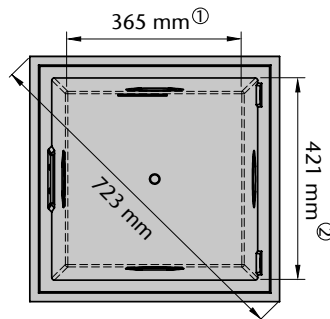
Galvanised Heelguard grate



Galvanised Transverse grate

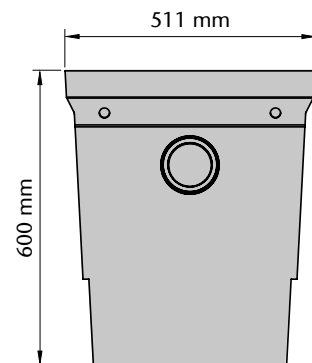
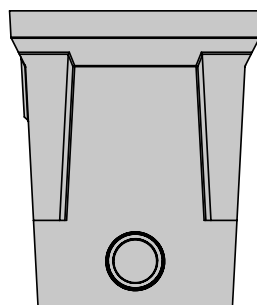
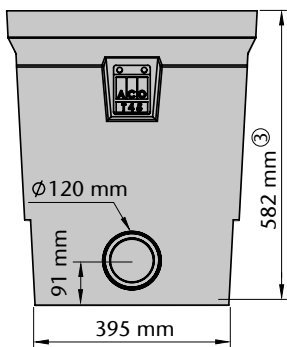


Drainage pit



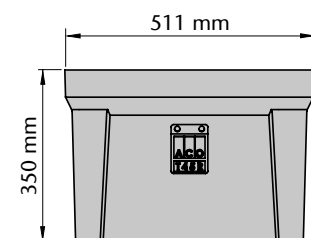
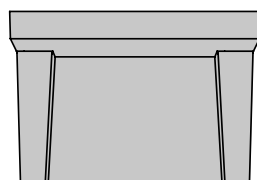
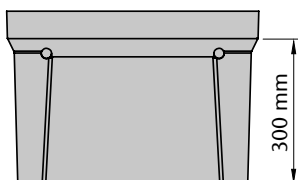
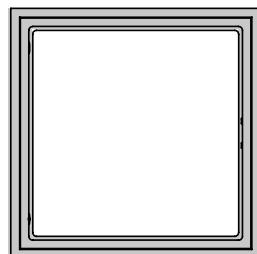
Key

- ① Clear working dimension at pit base.
- ② Clear working dimension at pit opening.
- ③ Pit invert depth.



Optional riser

- each riser adds up to 300mm height



ACO Specification Information

ACO DRAIN®

Type 45 Polycrete® Pit – polymer concrete pit and grate

ACO Specification Information

| Pit/riser and grates | | | | |
|---|----------|----------------|--------------------------------|-------------|
| Descriptions | Part No. | Slot Size (mm) | Intake Area (mm ²) | Weight (kg) |
| Type 45 Polymer concrete pit | 77024 | - | - | 45 |
| Type 45 Polymer concrete riser | 77048 | - | - | 26 |
| Type 45 Stainless 5 Star Heelsafe ® Anti-Slip grate (330kg nominal wheel load) | 141809 | 18 x 6 | 96,460 | 8.5 |
| Type 45 Stainless 5 Star Heelsafe ® Anti-Slip grate - locking (330kg nominal wheel load) | 142074 | 18 x 6 | 96,460 | 8.5 |
| Type 45 Galvanised Heelguard grate (2,670kg nominal wheel load) | 90045 | 94 x 7.5 | 116,875 | 27.8 |
| Type 45 Galvanised Heelguard grate - locking (2,670kg nominal wheel load) | 78679 | 94 x 7.5 | 116,875 | 27.8 |
| Type 45 Galvanised Transverse grate (2,670kg nominal wheel load) | 78682 | 94 x 35 | 170,000 | 9.8 |
| Type 45 Galvanised Transverse grate - locking (2,670kg nominal wheel load) | 78699 | 94 x 35 | 170,000 | 9.8 |
| Type 45 Galvanised Transverse grate (5,000kg nominal wheel load) | 77624 | 94 x 35 | 170,000 | 13.9 |
| Type 45 Galvanised Transverse grate - locking (5,000kg nominal wheel load) | 77639 | 94 x 35 | 170,000 | 13.9 |

Notes:

1. Locking grate includes bar and brackets.
2. Stainless steel grade 304.

Specifications

The grated pit shall be ACO Drain® - Type 45 Polycrete® Pit – polymer concrete pit and grate as manufactured by ACO.

Type 45 pit and risers* shall be manufactured from polyester resin polymer concrete and installed in accordance with the manufacturer's installation instructions.

Type 45 pits have a clear opening of 421mm x 421mm with an invert depth of 582mm. The overall dimensions of the Type 45 pit is 511mm x 511mm x 600mm deep. Type 45 risers add 300mm to the overall depth of the pit.*

Grate for the Type 45 pit shall be standard non-locking / locking* and grate type:

- Stainless 5 Star **Heelsafe**® Anti-Slip grate (330kg nominal wheel load).*
- Galvanised Heelguard grate (2,670kg nominal wheel load).*
- Galvanised Transverse grate (2,670kg nominal wheel load).*
- Galvanised Transverse grate (5,000kg nominal wheel load).*

* delete as applicable

ACO Limited

New Zealand

Ph: 0800 448 080

www.aconz.co.nz

sales@aconz.co.nz

© March 2022 ACO Limited. All reasonable care has been taken in compiling the information in this document. All recommendations and suggestions on the use of ACO products are made without guarantee since the conditions of use are beyond the control of the company. It is the customer's responsibility to ensure that each product is fit for its intended purpose and that the actual conditions are suitable. ACO Limited pursues a policy of continuous product development and reserves the right to amend specifications without notice.

