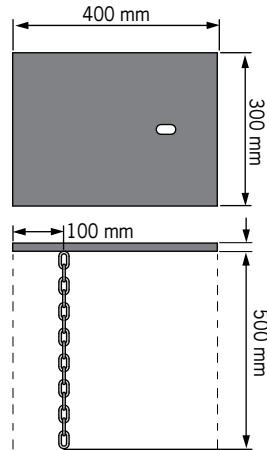
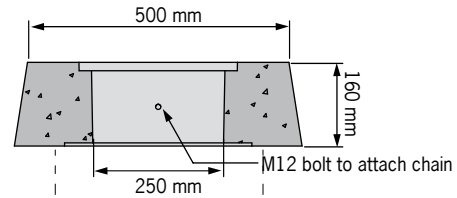
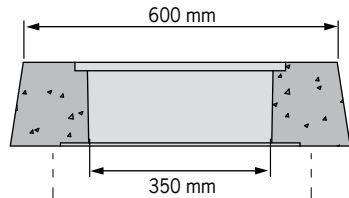
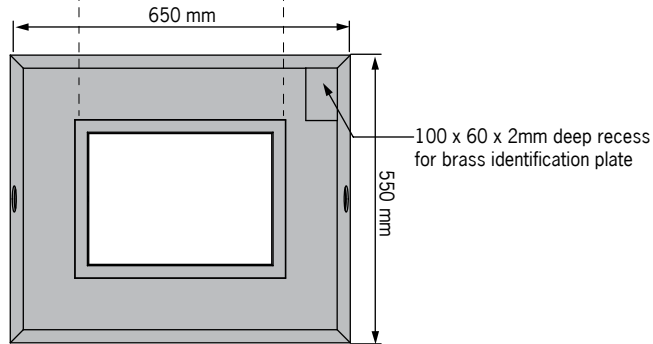


SIT Pit Assembly - 730mm deep base

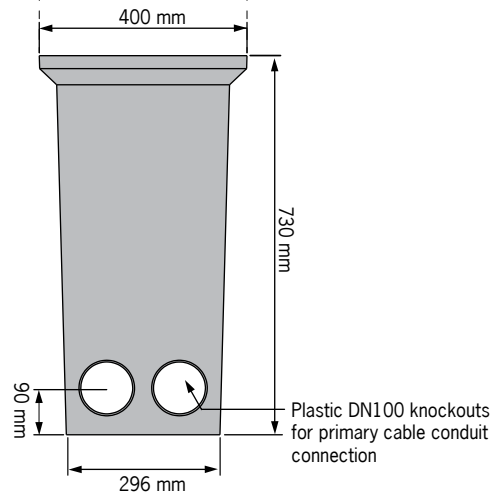
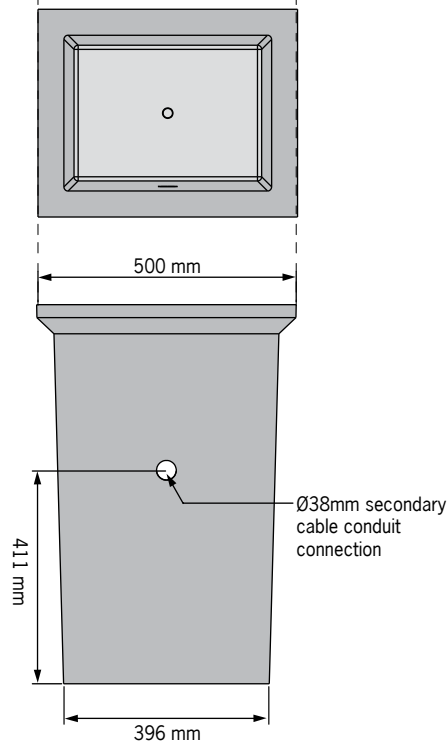
Galvanised lid - 25 tonne rated



SIT PIT Collar



SIT PIT Base



ACO Specification Information

ACO CABLEMATE

SIT Pit Assembly - 730mm deep base

Cable pit, collar and lid

Description	Part No	Depth mm	Weight kg
SIT Pit Lid and Collar Assembled	142322	890*	96
SIT Pit Base – 730mm deep	142321		50
Universal Lifting Key	84306	-	1

* Overall height of combined parts

Specifications

General

The cable pit shall be ACO SIT Pit - concrete pit with steel lid as supplied by ACO Limited. or equal approved.

Materials

The pit body shall be manufactured from polymer concrete with:

Electrical resistivity 1 x 10⁸ Ω /sq
 Compressive strength: 96MPa
 Flexural strength: 27MPa
 Water absorption 0.07%

Frost proof

Salt proof

Dilute acid and alkali resistant

Surface burn characteristics of the material shall comply with UL 723

The nominal clear opening shall be 250mm x 350mm. Units shall be manufactured with a overall depth of 890mm.

Lid

The pit shall be covered with a steel lid rated to 25 tonnes.

Installation

The pit shall be installed in accordance with the manufacturer's installation instructions and recommendations.

* delete as applicable

ACO Limited
New Zealand
 Ph: 0800 448 080
 www.aconz.co.nz
 info@aconz.co.nz



© March 2018 ACO Limited. All reasonable care has been taken in compiling the information in this document. All recommendations and suggestions on the use of ACO products are made without guarantee since the conditions of use are beyond the control of the company. It is the customer's responsibility to ensure that each product is fit for its intended purpose and that the actual conditions are suitable. ACO Limited. pursues a policy of continuous product development and reserves the right to amend specifications without notice.