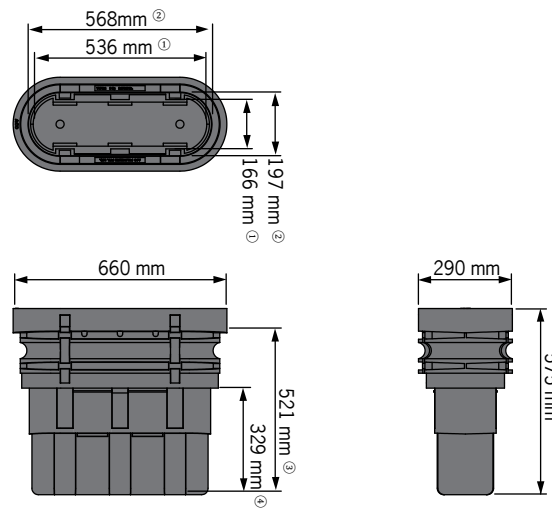


# Type 2 polyethylene cable pit

## Cable pit



**Key**

- ① Clear working dimension at pit base
- ② Clear working dimension at pit opening
- ③ Clear working dimension beneath rebate
- ④ Clear working dimension beneath riser cut off point

# ACO CABLEMATE

## Type 2 polyethylene cable pit

### Cable pit and riser

Description	Part No	Depth mm	Weight Kg
Type 2 polyethylene pit	75946	575	6.0

### Compatible lids and access covers

Description	Part No	Weight kg	
		cover <sup>2</sup>	total
Cement concrete lid (AS 3996 CI A) - Blank <sup>1 3</sup>	75948	13	13
Cement concrete lid (AS 3996 CI A) - Communications <sup>1 3</sup>	75949	13	13
Cement concrete lid (AS 3996 CI A) - Electricity <sup>1 3</sup>	75950	13	13
Steel lid (AS 3996 CI B) <sup>1 4</sup>	70220	6	6
Steel lid (AS 3996 CI C) <sup>1 4</sup>	custom	-	-
Steel Urbanfil recessed cover (AS 3996 CI B) <sup>1</sup>	81225	11	16
Steel Pavermate recessed cover (AS 3996 CI B) <sup>1</sup>	81340	11	16
Ductile iron Rhinocast recessed cover (AS 3996 CI B) <sup>1</sup>	85037	28	49
Ductile iron Rhinocast solid top cover (AS 3996 CI B) <sup>1</sup>	85236	28	47

1. Refer to ACO Cablemate literature for details
2. Lifting weight - kg
3. Lid dimension: 616 x 245 x 45 (mm)
4. Lid dimension: 616 x 245 x 43 (mm)

### Specifications

#### General

The cable pit shall be ACO Cablemate Type 2 with lid/access cover\* (see below) as manufactured by ACO Limited or equal approved.

#### Materials

The pit body shall be manufactured from polyethylene with:

Electrical resistivity 1 x 10<sup>16</sup> Ω/sq  
 Flexural strength: 15MPa  
 Water absorption 0.31%  
 Frost proof  
 Salt proof  
 Dilute acid and alkali resistant  
 Surface burn characteristics of the material shall comply with UL 723  
 IP ratings up to IP4X (AS 60529) - enclosure protection against ingress

Polyethylene moulded pits feature a ribbed construction for strength and durability. The nominal clear opening shall be 568mm x 197mm. Units shall be manufactured with a clear depth of 521mm.

#### Lid/Access cover

The pit shall be covered with a cement concrete lid\*, steel lid\*, Urbanfil/Pavermate access cover\*, Rhinocast access cover\* - see table opposite for compatible options.

#### Installation

The cable pit shall be installed in accordance with the manufacturer's installation instructions and recommendations.

\* delete as applicable

**ACO Limited**  
**New Zealand**  
 Ph: 0800 448 080  
 www.aconz.co.nz  
 info@aconz.co.nz

© July 2017 ACO Limited. All reasonable care has been taken in compiling the information in this document. All recommendations and suggestions on the use of ACO products are made without guarantee since the conditions of use are beyond the control of the company. It is the customer's responsibility to ensure that each product is fit for its intended purpose and that the actual conditions are suitable. ACO Limited pursues a policy of continuous product development and reserves the right to amend specifications without notice.

