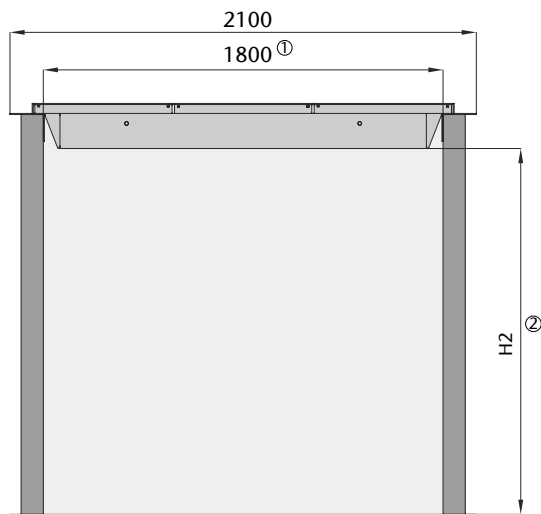
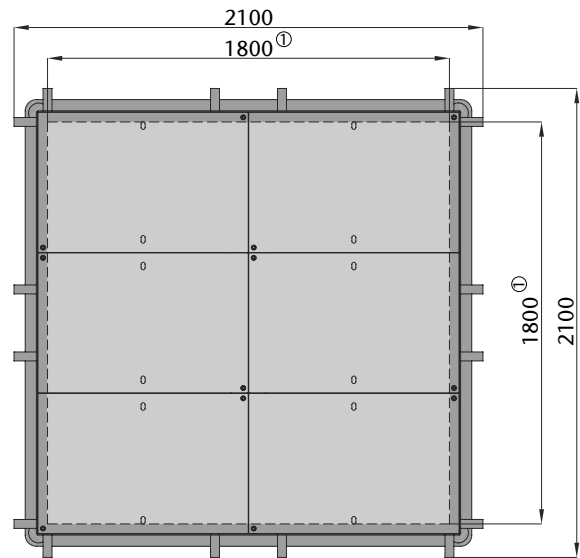
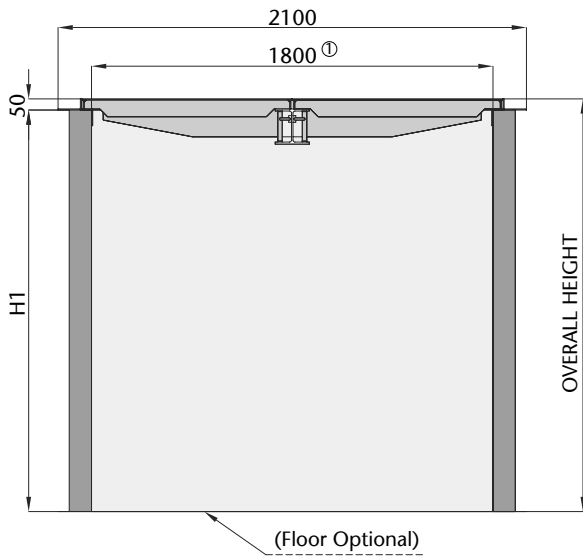


ACO EzyBrixx® - 1800mm x 1800mm – twin walled polypropylene cable pit



H1 (mm)	H2 (mm)	OVERALL HEIGHT (mm)
900	747	950
1050	897	1100
1200	1047	1250
1350	1197	1400
1500	1347	1550
1650	1497	1700
1800	1647	1850

Key

1. Clear working dimension at pit opening.
2. Clear working dimension beneath lid components.
3. All dimensions are in mm

Parts Table

Enclosures/Lids		
Descriptions/dimensions	Part No.	Weight (kg)
EzyBrixx 1800mm x 1800mm (900mm deep) pit	142698	136
EzyBrixx 1800mm x 1800mm (1050mm deep) pit	142701	154
EzyBrixx 1800mm x 1800mm (1200mm deep) pit	142703	172
EzyBrixx 1800mm x 1800mm (1350mm deep) pit	142616	190
EzyBrixx 1800mm x 1800mm (1500mm deep) pit	142618	311
EzyBrixx 1800mm x 1800mm (1650mm deep) pit	142620	339
EzyBrixx 1800mm x 1800mm (1800mm deep) pit	142622	367
EzyBrixx 1800mm x 1800mm base (supplied loose)	142731	27
EzyBrixx 1800mm x 1800mm steel (4 part/beam) bolt locking lids - Class B	142624	380
EzyBrixx 1800mm x 1800mm steel (4 part/beam) bolt locking lids - Class D	142625	437

ACO Specification Information

ACO CABLEMATE

ACO EzyBrixx® - 1800mm x 1800mm – twin walled polypropylene cable pit

Accessories

Descriptions	Part No.
EzyBrixx Cable support (each)	142567
EzyBrixx Ladder	POA
Universal Lifting Key	84306
4m eye to eye lifting slings (set of 4)	142565
Holesaw EzyBrixx: tungsten grit 30mm system - Short Hex	142760
Holesaw EzyBrixx: tungsten grit 65mm system - Short Hex	142761
Holesaw EzyBrixx: tungsten grit 70mm system - Short Hex	142762
Holesaw EzyBrixx: tungsten grit 90mm system - Short Hex	142763
Holesaw EzyBrixx: tungsten grit 120mm system - Short Hex	142764
Holesaw EzyBrixx: tungsten grit 160mm system - Short Hex	142765
Holesaw EzyBrixx: tungsten grit 30mm system -Short SDS	142766
Holesaw EzyBrixx: tungsten grit 65mm system -Short SDS	142767
Holesaw EzyBrixx: tungsten grit 70mm system - Short SDS	142768
Holesaw EzyBrixx: tungsten grit 90mm system - Short SDS	142769
Holesaw EzyBrixx: tungsten grit 120mm system - Short SDS	142770
Holesaw EzyBrixx: tungsten grit 160mm system - Short SDS	142771
Holesaw EzyBrixx: pilot key - 200mm long	142772
Holesaw EzyBrixx: pilot key - 40mm long drift key	142773
Short SDS adaptor	142774
Short HEX adaptor	142775
Long HEX adaptor	142776
Long SDS adaptor	142777
Universal Plug	84625

Specifications

The cable pit shall be ACO EzyBrixx® - 1800mm x 1800mm (clear opening)

- with/without* base
- complete with a bolt lockable Class B/D* steel lid (AS 3996)

The cable pit shall have an overall depth of 900mm/1050mm/1200mm/1350mm/1500mm/1650mm/1800mm*

The pit body shall be manufactured from modular rigid (twin wall) polypropylene components comprising an interlocking wedge system configured in 150mm high stacking units.

The pit is to be supplied assembled and installed in accordance with the manufacturer's installations.

* delete as applicable

ACO Specification Information

ACO Limited
New Zealand
Ph: 0800 448 080
www.aconz.co.nz
sales@aconz.co.nz

© October 2020 ACO Limited. All reasonable care has been taken in compiling the information in this document. All recommendations and suggestions on the use of ACO products are made without guarantee since the conditions of use are beyond the control of the company. It is the customer's responsibility to ensure that each product is fit for its intended purpose and that the actual conditions are suitable. ACO Limited pursues a policy of continuous product development and reserves the right to amend specifications without notice.

SPEC INFO
ACO