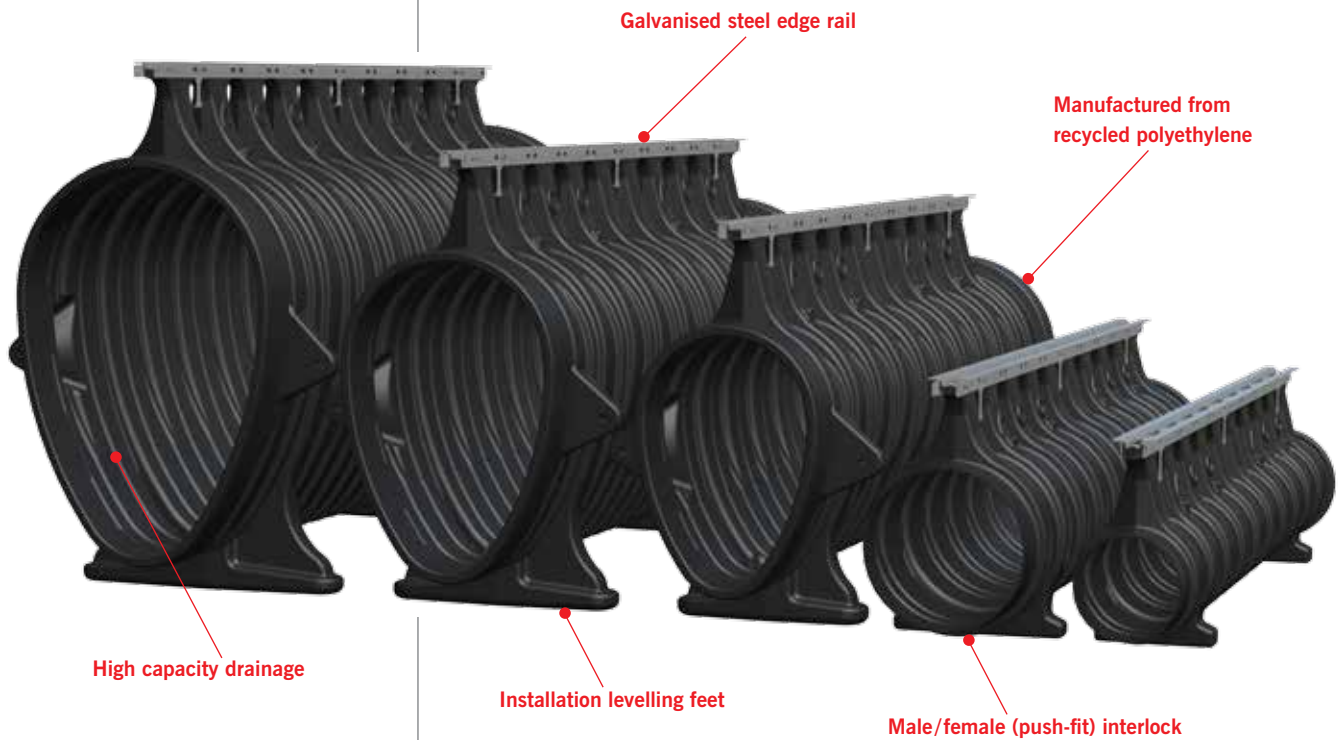


Typical Applications

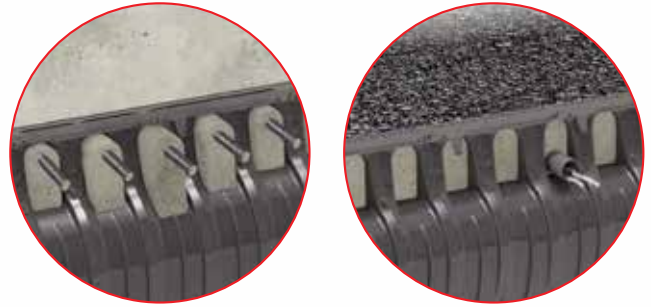
- Airport pavements
- Container ports
- Industrial parks
- Distribution centres
- Highways & motorways
- Correctional facilities

Heavy duty polyethylene (PE) slot drainage system



Qmax is a slot drainage system for applications consisting of small to large catchment areas. Bodies are manufactured from polyethylene (PE) ensuring the system is lightweight and robust.

Qmax comprises 2 metre long units available in 5 sizes. Simple access and connection between each channel run is provided by a range of access units, pits and connectors.



Patented pavement beam feature allows the steel reinforcement to continue through the inlet for an unbroken reinforced slab and also allows conduits for services to pass through



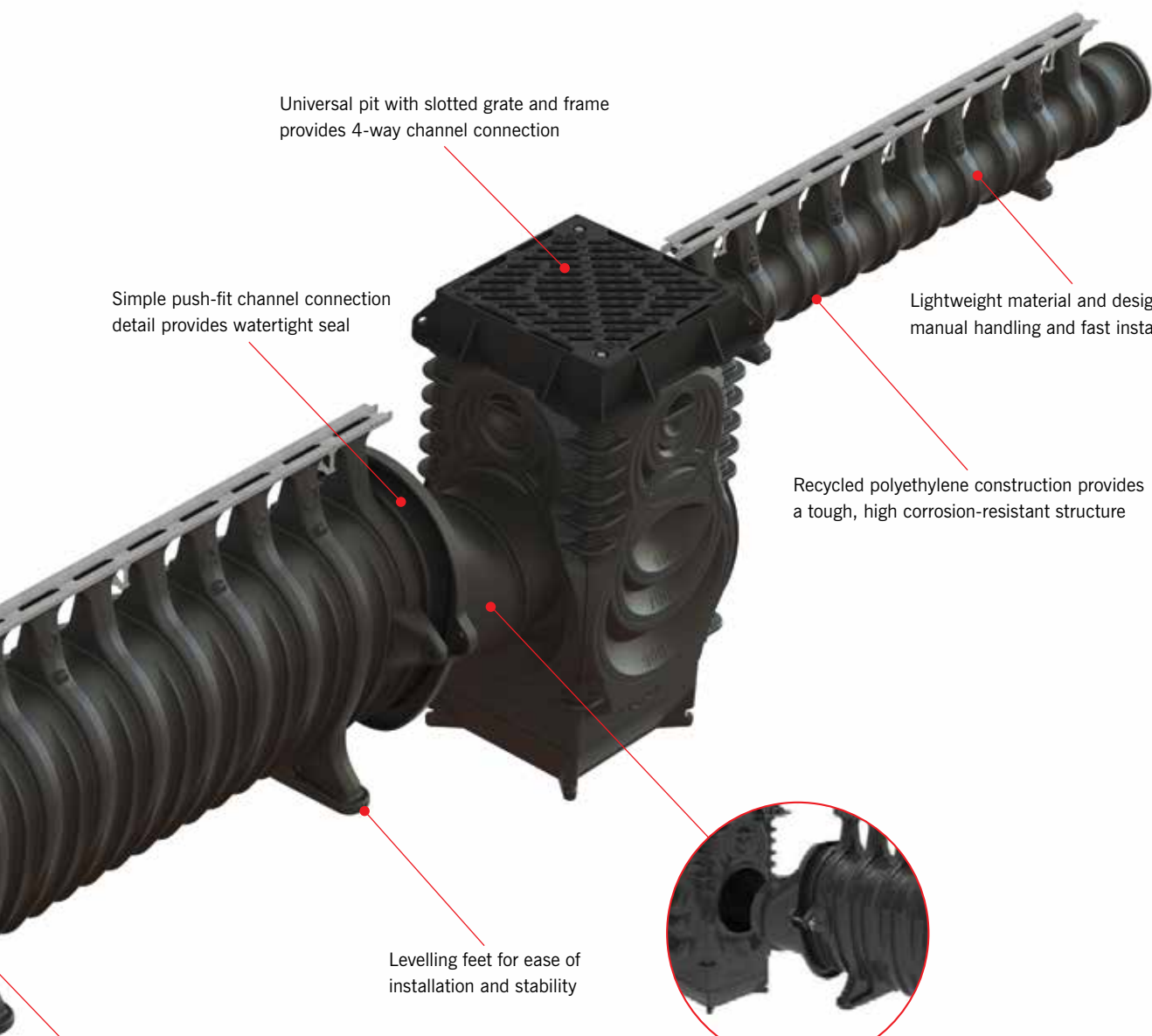
Q-Flow galvanised steel slot
(26mm wide inlet slot)



Cutting guides at 200mm intervals
to achieve desired run length

Stiff rib design provides high strength
during handling and installation

End cap for each system



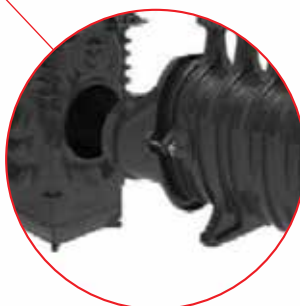
Universal pit with slotted grate and frame provides 4-way channel connection

Simple push-fit channel connection detail provides watertight seal

Lightweight material and design for easy manual handling and fast installation

Recycled polyethylene construction provides a tough, high corrosion-resistant structure

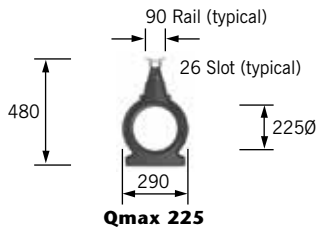
Levelling feet for ease of installation and stability



Pit connectors provide seamless connection between channel and pit



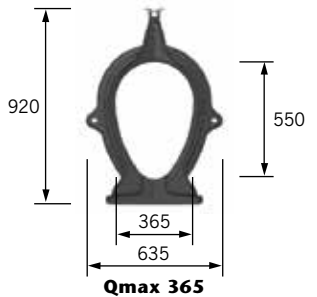
Step connectors provide a seamless connection between different sized systems



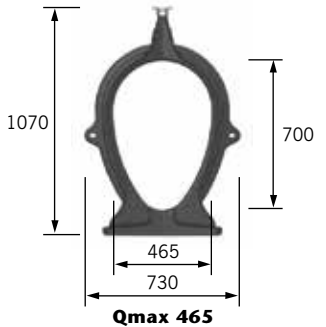
Qmax 225



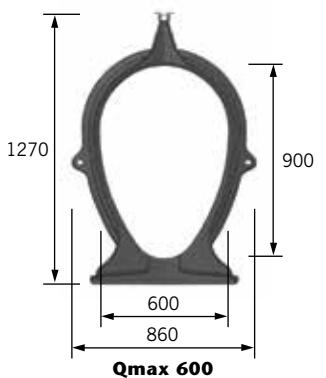
Qmax 350



Qmax 365



Qmax 465



Qmax 600

Description	Part No.	Invert Depth mm	Weight kg
Qmax 225 Channel & End Cap (EN 1433 Class F900kN)¹			
Qmax 225 Channel with Q-Flow galvanised steel slot – (2m) ³	32802	425	17.8
Qmax 225 End cap – (0.24m)	42221	–	1.4
Qmax 350 Channel & End Cap (EN 1433 Class F900kN)¹			
Qmax 350 Channel with Q-Flow galvanised steel slot – (2m) ³	32812	550	24.0
Qmax 350 End cap – (0.26m)	42351	–	2.8
Qmax 365 Channel & End Caps (EN 1433 Class F900kN)¹			
Qmax 365 Channel with Q-Flow galvanised steel slot – (2m)	32822	800	35.6
Qmax 365 End cap – (0.012m)	32825	–	3.5
Qmax 365 End cap for channel cuts – (0.06m)	32886	–	2.4
Qmax 465 Channel & End Caps (EN 1433 Class F900kN)¹			
Qmax 465 Channel with Q-Flow galvanised steel slot – (2m)	32832	950	41.9
Qmax 465 End cap – (0.012m)	32835	–	4.9
Qmax 465 End cap for channel cuts – (0.06m)	32887	–	3.1
Qmax 600 Channel & End Caps (EN 1433 Class F900kN)¹			
Qmax 600 Channel with Q-Flow galvanised steel slot – (2m)	32842	1155	57.2
Qmax 600 End cap – (0.016m)	32845	–	9.8
Qmax 600 End cap for channel cuts – (0.06m)	32888	–	4.9
Qmax Pits & Pit Accessories (EN 1433 Class F900kN)¹			
Qmax 225/350 Access unit with slotted grate – (0.66m)	32971	–	77.5
Qmax 225/350 pit with slotted grate – (0.66m)	32973	–	81.5
Qmax Universal pit with slotted grate – (0.87m) ²	44316	–	181.0
Qmax 365 pit connector assembly (pair) – (0.8m)	32826	–	11.8
Qmax 465 pit connector assembly (pair) – (0.8m)	32836	–	15.8
Qmax 600 pit connector assembly (pair) – (0.8m)	32846	–	25.1
Qmax Step Connectors⁴			
Qmax 225 to Qmax 350 Step connector – (0.025m)	32880	–	0.8
Qmax 365 to Qmax 465 Step connector – (0.045m)	32882	–	2.5
Qmax 465 to Qmax 600 Step connector – (0.045m)	32883	–	3.7

Notes

1. EN 1433 Class F900kN load classification is similar to AS 3996 Class G 900kN.
2. Qmax Universal Pit (Part No. 44316) requires the relevant pit connector assembly.
3. Qmax 225 & 350 channels can be connected directly to Qmax Universal Pit (Part No. 44316).
4. Step connector not available for connecting Qmax 350 channel to Qmax 365 channel.
5. Dimensions on drawings are in millimetres.

ACO Limited

Head Office:

Unit 1, 6 Percival Gull Place
Mangere, Auckland 2022
New Zealand

Sales: 0800 448 080
+64 9 815 9500 (International)

Email: info@aconz.co.nz

Web: www.aconz.co.nz

Representatives in: Auckland
Wellington
Christchurch

Follow us on

