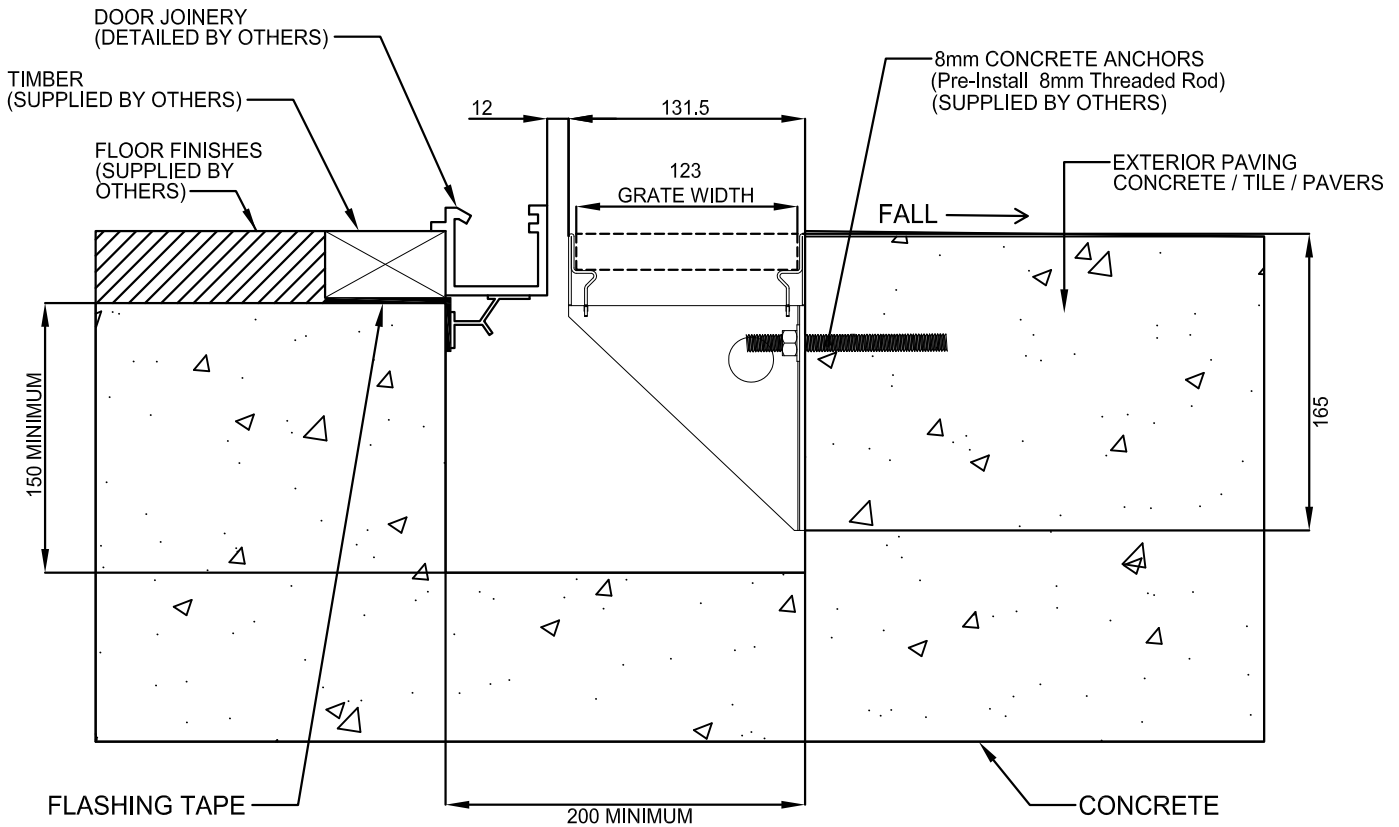


DRG#: OnePour

ThresholdDrain OnePour

Website: www.thresholddrain.co.nz



NOTES:

1. CUSTOMERS TO CHECK AND CONFIRM THE INSTALLATION DETAILS MEET NZ BUILDING CODE E2 SOLUTIONS FIGURE 17B.
2. ACO RECOMMENDS DESIGNERS AND INSTALLERS CHECK LOCAL LEGISLATIVE STANDARDS AND PRACTICES, OR SEEK SPECIALISED ENGINEERING ADVICE

(C) 2017 ACO LIMITED

DRG#: OnePour

ThresholdDrain OnePour

Website: www.thresholddrain.co.nz

THRESHOLDDRAIN ONEPOUR COMPLETE WITH * GRATE SHALL BE INSTALLED AS PER ACO'S INSTALLATION DETAIL WITH REFERENCE TO NZ BUILDING CODE E2 SOLUTIONS FIGURE 17B.

GRATE SHALL BE 123mm WIDE. FRAME SHALL BE 131.5mm WIDE. THE LENGTH AS SPECIFIED ON DESIGNER'S PLANS/SPECIFICATIONS (ALLOWS FOR 500mm LONG GRATES) AND MUST BE DRAINLOK™ LOCKING.

THE SYSTEM SHALL BE MANUFACTURED AND SUPPLIED BY ACO LIMITED AND INSTALLED IN ACCORDANCE WITH ACO'S GUIDELINES. INSTALLERS MUST CHECK LOCAL PLUMBING CODES AND SEEK PROFESSIONAL ADVICE PRIOR TO INSTALLATION.

*INSERT GRATE TYPE