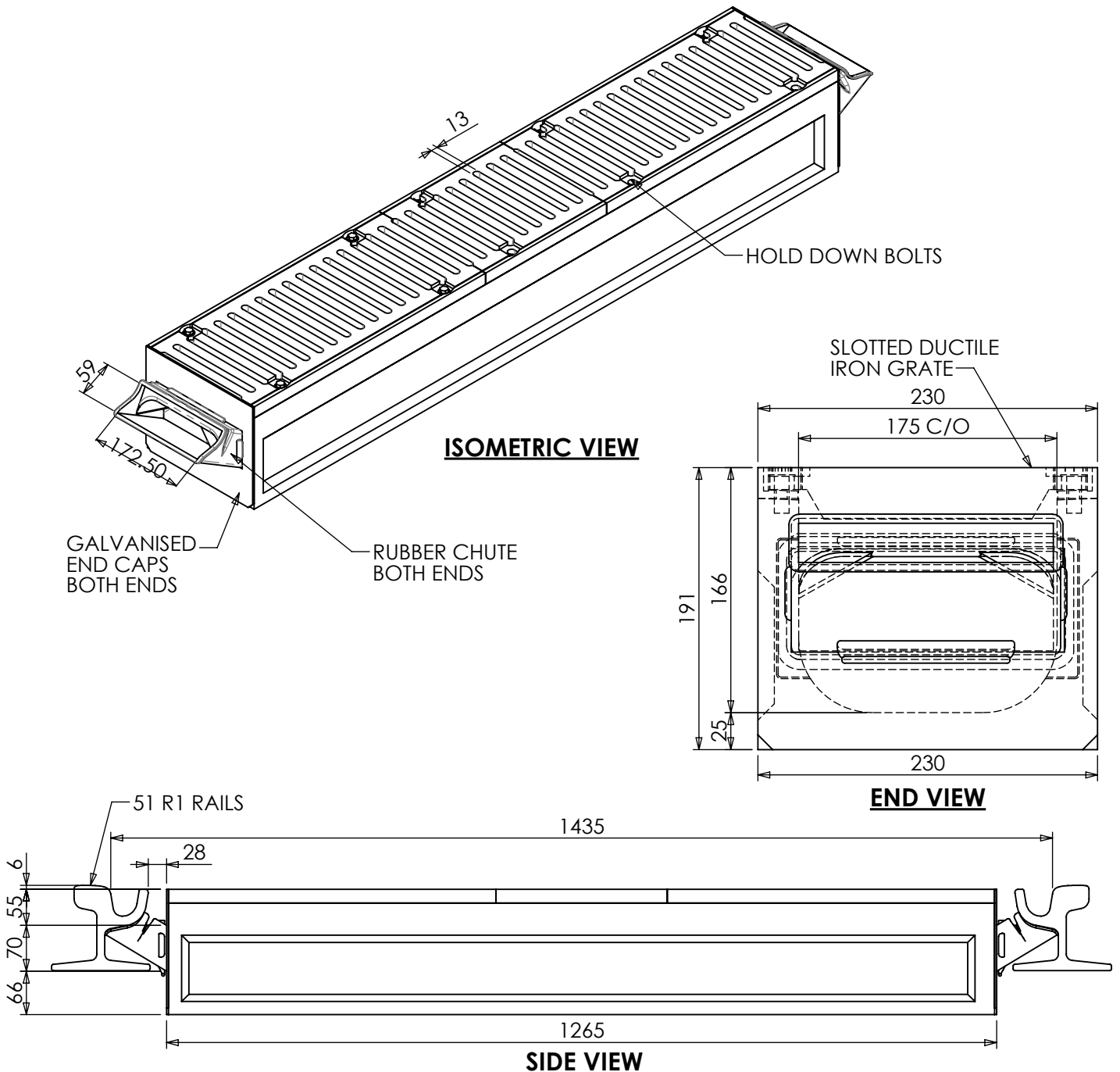


# TRAMDRAIN 175 - 191 DEEP WITH SLOTTED GRATES

# All dimensions are in millimeters



© 2012 COPYRIGHT ACO POLYCRETE PTY LTD.

## SALES ILLUSTRATION

REF. No.	
<b>12-18</b>	
REVISION:	D
CHK'D	DC

**ACO Polycrete Pty Ltd**

134-140 Old Bathurst Road, Emu Plains NSW 2750  
 Tel: +61 2 4747 4000, Fax: +61 2 4747 4040, Website: [www.acoaus.com.au](http://www.acoaus.com.au)



All reasonable care has been taken in compiling the information in this illustration. All recommendations and suggestions on the use of ACO products are made without guarantee since the conditions of use are beyond the control of the company. It is the customer's responsibility to ensure that each product is fit for its intended purpose and that the actual conditions of use are suitable. ACO Polycrete pursues a policy of continuous product development and reserves the right to amend specifications without notice.

This illustration is for ACO sales purposes only. Any other use of this illustration is prohibited by ACO Polycrete.