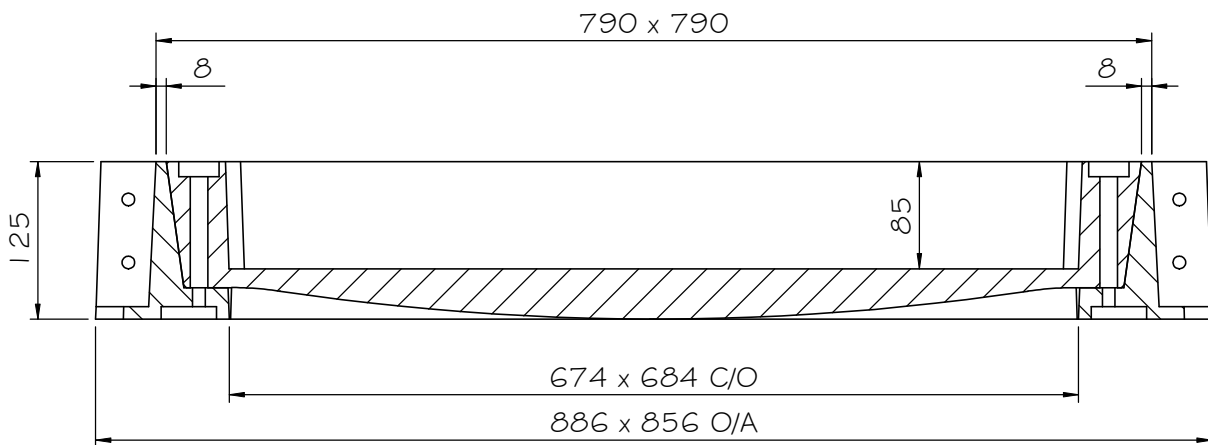
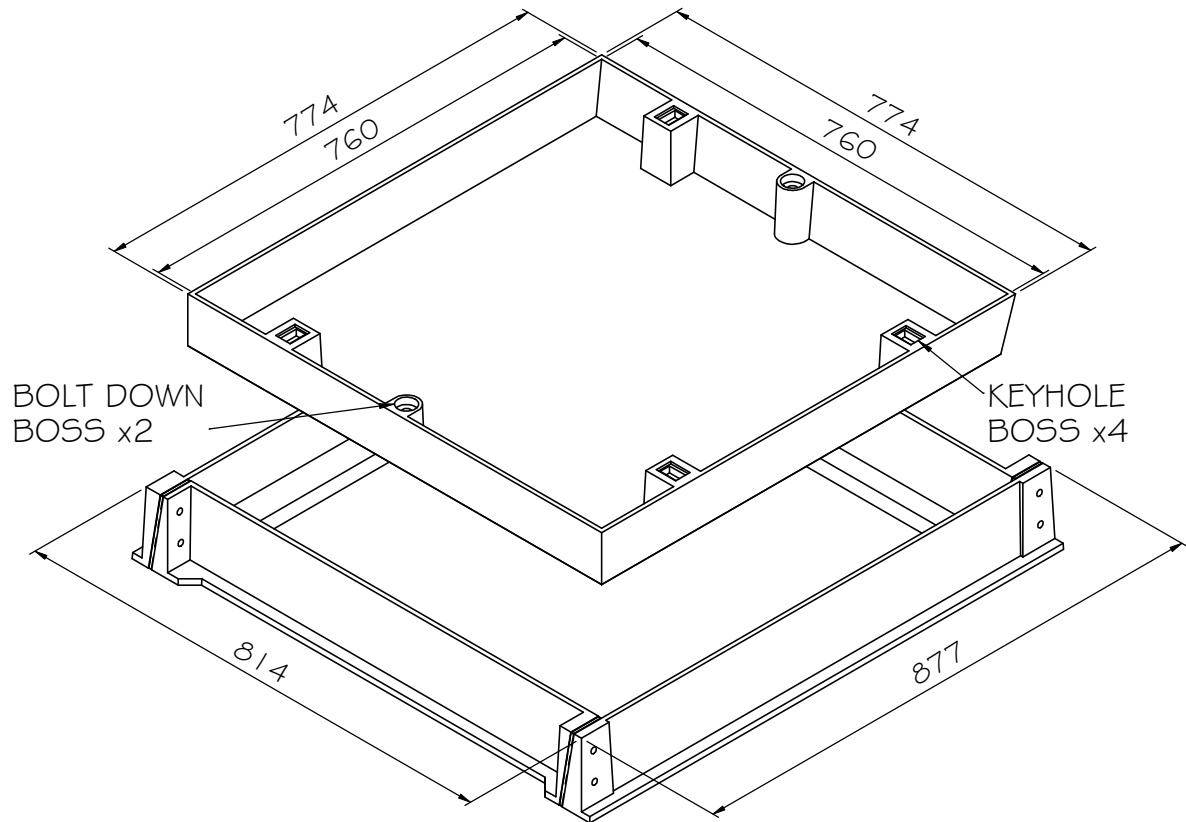


DUCTILE IRON COVER & FRAME 85mm DEEP PAN CLASS D



© 2010 COPYRIGHT ACO POLYCRETE PTY LTD.

SALES ILLUSTRATION



REF. No.
10/29
SERIES. B
CHK'D.

ACO Polycrete Pty Ltd

134-140 Old Bathurst Road, Emu Plains NSW 2750
Tel: +61 2 4747 4000, Fax: +61 2 4747 4060, Website: www.acoaus.com.au

All reasonable care has been taken in compiling the information in this illustration. All recommendations and suggestions on the use of ACO products are made without guarantee since the conditions of use are beyond the control of the company. It is the customer's responsibility to ensure that each product is fit for its intended purpose and that the actual conditions of use are suitable. Engineering advice may be required. ACO Polycrete pursues a policy of continuous product development and reserves the right to amend specifications without notice.

This illustration is for ACO sales purposes only. Any other use of this illustration is prohibited by ACO Polycrete.