



**Specifications**

**General**

The surface drainage system shall be ACO's Brickslot with K100/KS100/H100K/H100KS\* polymer concrete channel system with galvanised/ stainless\* steel edge rails as manufactured by ACO.

**Materials**

K100/KS100/H100K/H100KS\* channels shall be manufactured from polyester resin polymer concrete with integrally cast-in galvanised/ stainless\* steel edge rails. Properties of polymer concrete will be as follows with supporting documentation:

Compressive Strength:	98 MPa
Flexural Strength:	26 MPa
Tensile Strength:	14 MPa

Water Absorption:	0.07%
Frost Proof:	YES
Coefficient of Expansion/ Contraction:	2.02x10-5/°C
Water Vapour Transmission:	0.0364g/m2
Non Flammable:	YES
Roughness (Mannings):	n=0.011
Resistant to Weathering:	YES
Dilute Acid and Alkali Resistant:	YES
SF Sealant Groove:	YES

**Channels**

K100/KS100/H100K/H100KS\* channel shall be 100mm nominal internal width with an overall width of 130mm. All channels shall be interlocking with a male/female joint.

**Brickslot**

The Brickslot shall be manufactured from galvanised/stainless\* steel and have minimum

properties and characteristics as follows:

- 10mm wide slot to blend in with paving joints
- Meets AS 1428.2 (Clause 9c); AS 3996 (Clause 3.3.5 & 3.3.6)
- 69mm slot height for maximum paver depth of 63mm
- Connector clip used to align Brickslot joint
- Intake area of 10,000mm<sup>2</sup> per metre of Brickslot/5,000mm<sup>2</sup> per half metre of Brickslot
- Access units to allow access for maintenance to be located at both ends of the drain, at the outlet and/or spaced at 20-30 metre intervals

**Installation**

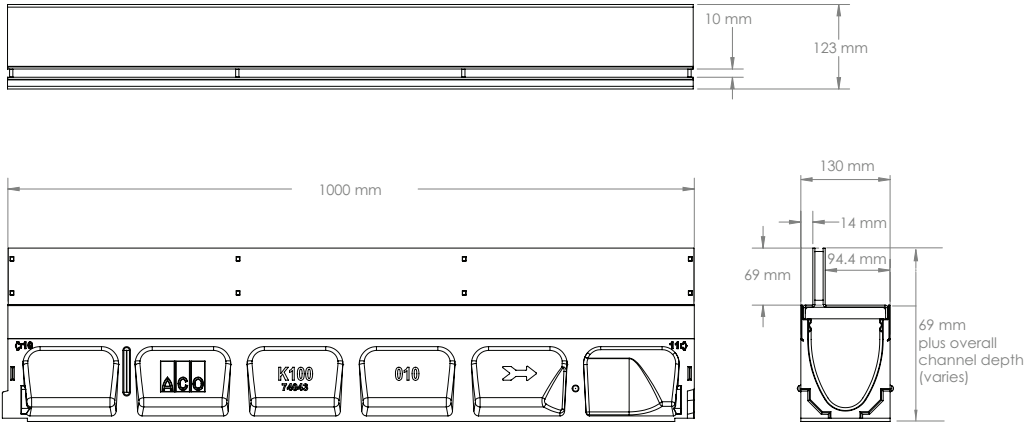
The complete drainage system shall be by ACO and to be installed for its intended purpose. Any deviation or partial use of the specified system and/or improper installation will void all warranties provided by ACO.

\*delete as appropriate

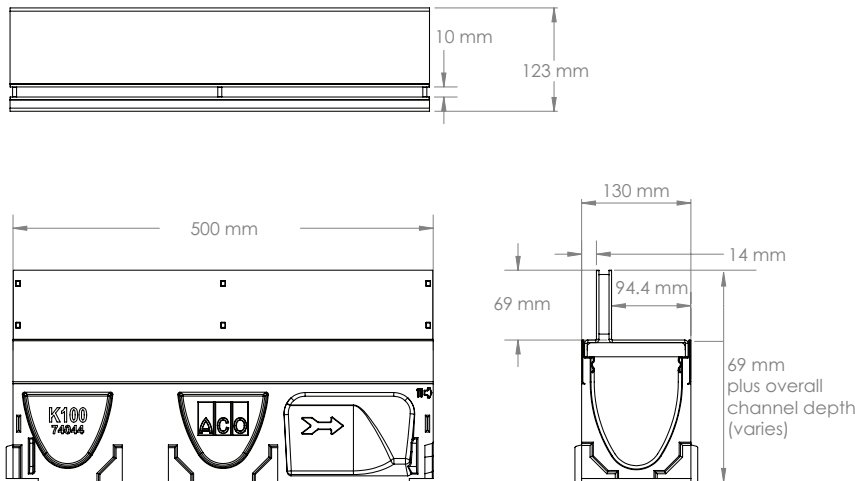
# ACO DRAIN

## Stainless Brickslot 100

One meter unit



Half meter unit



Description	Part No.	Invert mm	Weight kg
Brickslot 100 - (1m) Stainless Steel	142467	Channel invert +69	7.8
Brickslot 100 - (0.5m) Stainless Steel	142468	Channel invert +69	3.9
Brickslot 100 - (0.5m) Stainless Steel Access Unit	142469	Channel invert +69	7.4

**Notes:**

1. For use with K100 and KS100 channels, and Series 900 catch basins.
2. Brickslot can also be used with SlabDrain H and HK channels.

**ACO Limited**  
**Office & Warehouse**  
 Unit F/6 Percival Gull Place  
 Mangere, Auckland 2022  
 Tel: +64 9 815 9500  
 Toll free: 0800 448 080  
 Fax: +64 9 255 5114



**Follow us on**  
**Electronic Contact:**  
 info@aconz.co.nz  
 www.aconz.co.nz



© October 2020 ACO Limited. All reasonable care has been taken in compiling the information in this document. All recommendations and suggestions on the use of ACO products are made without guarantee since the conditions of use are beyond the control of the company. It is the customer's responsibility to ensure that each product is fit for its intended purpose and that the actual conditions are suitable. ACO Limited, pursues a policy of continuous product development and reserves the right to amend specifications without notice