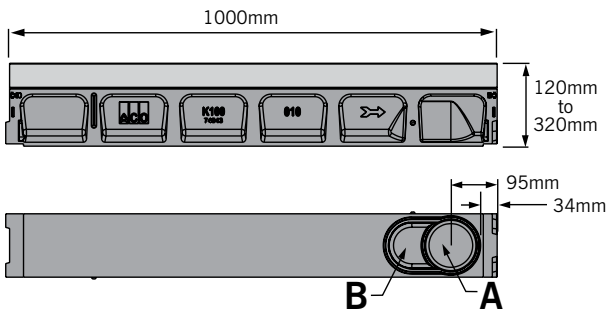
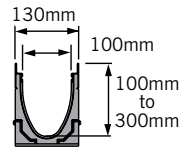




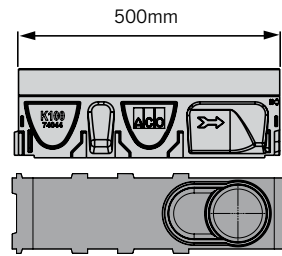
One metre channel



Knock-outs included on every 5th channel

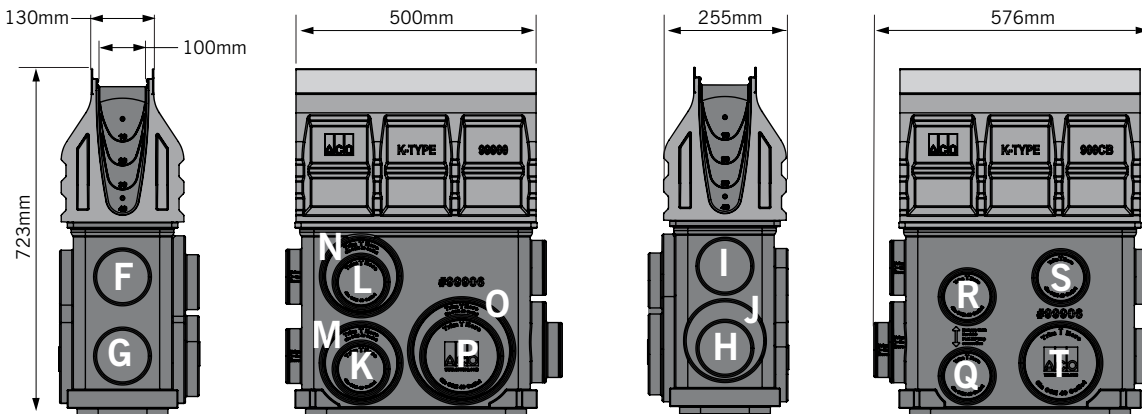


Half metre channel



- 170mm K1-0103
- 220mm K1-0203
- 270mm K1-0303
- 320mm K1-0403

K1-901G In-line pit



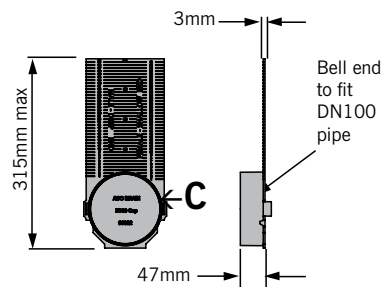
Total capacity = 40 litres

Outlet flow rates

Outlet	Product	Outlet size	Invert Depth (mm)	L/s
A	Bottom outlet - K1-00	100mm round	100	7.2
A	Bottom outlet - K1-040	100mm round	300	12.4
B	Bottom outlet - K1-00	150mm oval	100	11.7
B	Bottom outlet - K1-040	150mm oval	300	20.3
C	End outlet - K1-020	100mm round	200	7.2
C	End outlet - K1-040	100mm round	300	10.1
F	K1-901G	100mm round	490	14.1
G	K1-901G	100mm round	652	16.8
H	K1-901G	100mm round	643	16.7
I	K1-901G	100mm round	471	13.8
J	K1-901G	150mm round	657	36.2
K	K1-901G	100mm round	671	17.1
L	K1-901G	100mm round	492	14.2
M	K1-901G	150mm round	693	37.5
N	K1-901G	150mm round	508	30.4
O	K1-901G	200mm round	693	63.5
P	K1-901G	150mm round	671	36.7
Q	K1-901G	100mm round	690	17.4
R	K1-901G	100mm round	525	14.7
S	K1-901G	100mm round	482	14.0
T	K1-901G	150mm round	690	37.4

Note: These are the pipe flow rates at the specified outlet, NOT channel flow rates. In-line pit flow rates are without rubbish basket - using rubbish basket reduces flow.

End Cap





Description	Part No.	Invert ² (mm)	Weight (kg)
K1-00 Neutral channel - (1m)¹	144041	100	12.7
K1-1 Sloped channel - (1m)	144001	105	12.7
K1-2 Sloped channel - (1m)	144002	110	13.1
K1-3 Sloped channel - (1m)	144003	115	13.5
K1-4 Sloped channel - (1m)	144004	120	13.8
K1-5 Sloped channel - (1m) ¹	144005	125	14.2
K1-6 Sloped channel - (1m)	144006	130	14.6
K1-7 Sloped channel - (1m)	144007	135	14.9
K1-8 Sloped channel - (1m)	144008	140	15.3
K1-9 Sloped channel - (1m)	144009	145	15.6
K1-10 Sloped channel - (1m) ¹	144010	150	16.0
K1-010 Neutral channel - (1m)¹	144043	150	16.0
K1-0103 Neutral channel - (0.5m)¹	144044	150	7.7
K1-11 Sloped channel - (1m)	144011	155	16.4
K1-12 Sloped channel - (1m)	144012	160	16.7
K1-13 Sloped channel - (1m)	144013	165	17.1
K1-14 Sloped channel - (1m)	144014	170	17.5
K1-15 Sloped channel - (1m) ¹	144015	175	17.8
K1-16 Sloped channel - (1m)	144016	180	18.2
K1-17 Sloped channel - (1m)	144017	185	18.6
K1-18 Sloped channel - (1m)	144018	190	18.9
K1-19 Sloped channel - (1m)	144019	195	19.3
K1-20 Sloped channel - (1m) ¹	144020	200	19.7
K1-020 Neutral channel - (1m)¹	144045	200	19.7
K1-0203 Neutral channel - (0.5m)¹	144046	200	9.3
K1-21 Sloped channel - (1m)	144021	205	20.0
K1-22 Sloped channel - (1m)	144022	210	20.4
K1-23 Sloped channel - (1m)	144023	215	20.8
K1-24 Sloped channel - (1m)	144024	220	21.1
K1-25 Sloped channel - (1m) ¹	144025	225	21.5
K1-26 Sloped channel - (1m)	144026	230	21.9
K1-27 Sloped channel - (1m)	144027	235	22.2

Description	Part No.	Invert ² (mm)	Weight (kg)
K1-28 Sloped channel - (1m)	144028	240	22.6
K1-29 Sloped channel - (1m)	144029	245	23.0
K1-30 Sloped channel - (1m) ¹	144030	250	23.3
K1-030 Neutral channel - (1m)¹	144047	250	23.3
K1-0303 Neutral channel - (0.5m)¹	144048	250	10.9
K1-31 Sloped channel - (1m)	144031	255	23.7
K1-32 Sloped channel - (1m)	144032	260	24.0
K1-33 Sloped channel - (1m)	144033	265	24.4
K1-34 Sloped channel - (1m)	144034	270	24.8
K1-35 Sloped channel - (1m) ¹	144035	275	25.1
K1-36 Sloped channel - (1m)	144036	280	25.5
K1-37 Sloped channel - (1m)	144037	285	25.9
K1-38 Sloped channel - (1m)	144038	290	26.3
K1-39 Sloped channel - (1m)	144039	295	26.6
K1-40 Sloped channel - (1m) ¹	144040	300	27.0
K1-040 Neutral channel - (1m)¹	144049	300	27.0
K1-0403 Neutral channel - (0.5m)¹	144050	300	12.5
K1-901G In-line pit (0.5m) ³	141817	723 ⁴	23.9
Type 900 In-line plastic rubbish basket	01498	-	0.5
Universal end cap	96822	315 ⁴	0.2
Debris strainer for 100mm knockout	93488	-	0.1
Installation device	97477	-	1.3
Grate removal tool	01318	-	0.1
QuickLok bar	02899	-	0.1

Notes:

1. This channel offers bottom knockout feature; 100mm round & 150mm oval.
2. Inverts shown are male end, for female invert depths - subtract 5mm from male invert (except neutral channels where it will be the same as the male invert). To calculate overall channel depth add 20mm to invert depth.
3. In-line pit assembly (polymer concrete top with galvanised steel edge rail, plastic base & removable QuickLok Bar). Select appropriate QuickLok grate to suit.
4. Overall depth of in-line pit and end caps.

Specifications	
<p>General</p> <p>The surface drainage system shall be ACO's KlassikDrain K100 polymer concrete V-profile channel system with galvanised steel edge rails as manufactured by ACO.</p> <p>Materials</p> <p>K100 channels shall be manufactured from polyester resin polymer concrete with integrally cast-in galvanised steel edge rails. Properties of polymer concrete will be as follows with supporting documentation:</p> <p>Compressive Strength: 98 MPa</p>	<p>Flexural Strength: 26 MPa</p> <p>Tensile Strength: 14 MPa</p> <p>Water Absorption: 0.07%</p> <p>Frost Proof: YES</p> <p>Coefficient of Expansion/Contraction: 2.02x10⁻⁵/°C</p> <p>Water Vapour Transmission: 0.0364g/m²</p> <p>Non Flammable: YES</p> <p>Roughness (Mannings): n=0.011</p> <p>Resistant to Weathering: YES</p> <p>Dilute Acid and Alkali Resistant: YES</p> <p>SF Sealant Groove: YES</p> <p>Channels</p> <p>K100 channel shall be 100mm nominal internal width with an overall width of 130mm. Channel invert shall have a V-profile to allow efficient drainage. K100 sloped channels shall have a built-in slope of 0.5%. All channels shall be interlocking with a male/female joint.</p> <p>Grates</p> <p>Insert specification for the selected grate. Refer to the relevant ACO Specification Information sheet, click: http://www.acodrain.com.au/resources</p> <p>Installation</p> <p>The complete drainage system shall be by ACO and to be installed for its intended purpose. Any deviation or partial use of the specified system and/or improper installation will void all warranties provided by ACO.</p>

ACO Polycrete Pty Ltd Australia

Ph: 1300 765 226
www.acodrain.com.au
sales@acoaus.com.au

ACO Limited New Zealand

Ph: 0800 448 080
www.acodrain.co.nz
sales@aiconz.co.nz

